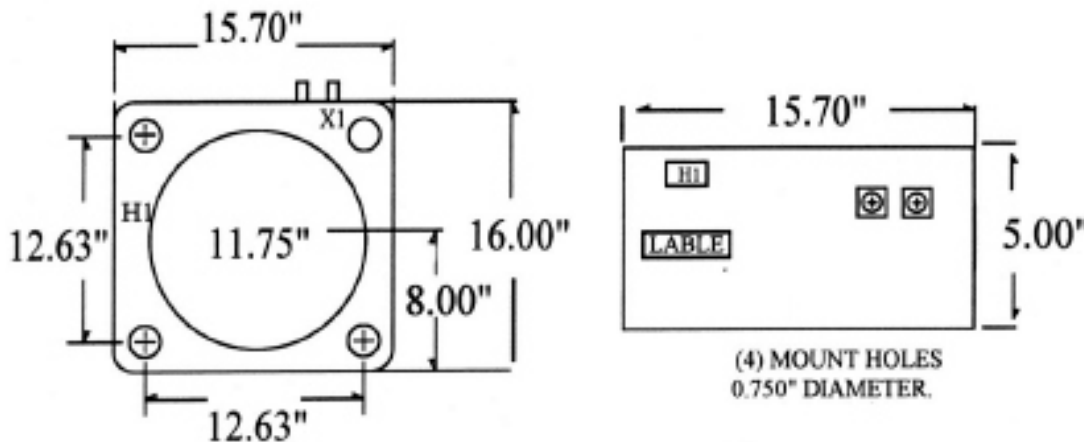


Current Transformers

Window Diameter: 11.75"
Continuous Thermal Rating: 2.0 at 30°C. amb.;
2.0 at 55°C. amb. Average.

Application: Ammeters and Wattmeters and Relays.
Insulation Class: 0.6 kV. BIL 10kV. full wave 50-400 Hz.
Constructed of 35kV polyurethane resin encapsulated
under vacuum.
Fully encapsulated.

Standard 5 amp secondary, others available.



To order, please complete the model number with the appropriate suffix.
eg.11155SH-1000

- ▶ Terminals are brass No. 10-32 UNC.
- ▶ Optional mounting bracket 1115MBK.
- ▶ Approximate weight 110 lb.
- ▶ Additional ratios available.

N.B. Ratios of 2000:5 and greater have a Rf. of 1.5 @ 30°C amb.
Ratios of 4000:5 and greater have a Rf. of 1.33 @ 30°C amb.

Model nbr.	Catalogue nbr. Suffix	Current Ratio	VA for ±1% Class	ANSI Metering Class @ 60Hz				
				BO.1	BO.2	BO.5	BO.9	B1.8
11155SH	-100	100:5	C10	0.6	1.2	2.4	4.8	-
	-200	200:5	C40	0.3	0.6	1.2	2.4	4.8
	-300	300:5	C100	0.3	0.3	0.6	1.2	2.4
	-400	400:5	C100	0.3	0.3	0.3	0.6	1.2
	-500	500:5	C100	0.3	0.3	0.3	0.3	0.6
	-600	600:5	C200	0.3	0.3	0.3	0.3	0.3
	-800	800:5	C200	0.3	0.3	0.3	0.3	0.3
	-1000	1000:5	C200	0.3	0.3	0.3	0.3	0.3
	-1200	1200:5	C400	0.3	0.3	0.3	0.3	0.3
	-1500	1500:5	C400	0.3	0.3	0.3	0.3	0.3
	-2000	2000:5	C800	0.3	0.3	0.3	0.3	0.3
	-2500	2500:5	C800	0.3	0.3	0.3	0.3	0.3
	-3000	3000:5	C800	0.3	0.3	0.3	0.3	0.3
	-3500	3500:5	C800	0.3	0.3	0.3	0.3	0.3
	-4000	4000:5	C800	0.3	0.3	0.3	0.3	0.3