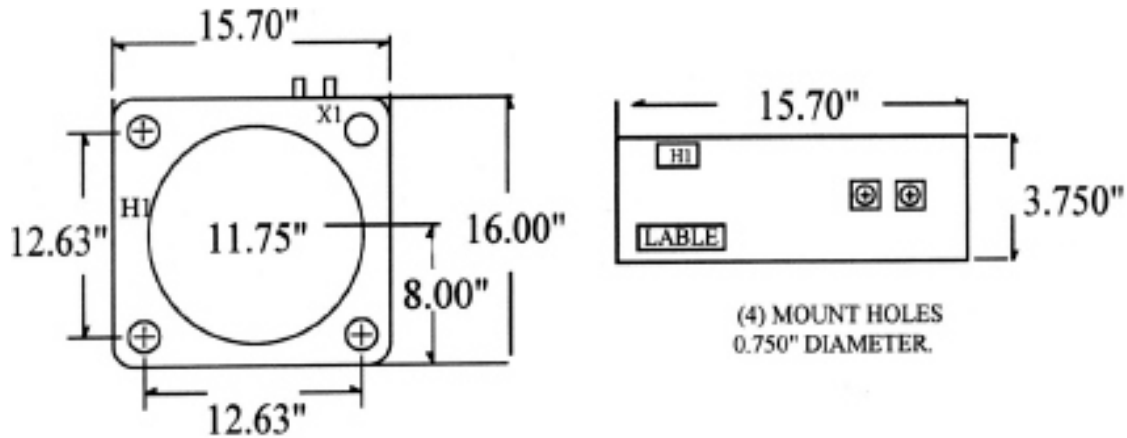


Current Transformers

Window Diameter: 11.75"
Continuous Thermal Rating: 2.0 at 30°C. amb.;
2.0 at 55°C. amb. Average.

Application: Ammeters and Wattmeters and Relays.
Insulation Class: 0.6 kV. BIL 10kV. full wave 50-400 Hz.
Constructed of 35kV polyurethane resin encapsulated
under vacuum.
Fully encapsulated.

Standard 5 amp secondary, others available.



Model nbr.

1115SH

To order, please complete the model number with the appropriate suffix.
eg.1115SH-1000

Catalogue nbr. Suffix	Current Ratio	VA for ±1% Class	ANSI Metering Class @ 60Hz				
			BO.1	BO.2	BO.5	BO.9	B1.8
-100	100:5	C5	1.2	2.4	4.8	-	-
-200	200:5	C20	0.6	1.2	2.4	2.4	4.8
-300	300:5	C50	0.3	0.6	1.2	1.2	2.4
-400	400:5	C50	0.3	0.3	0.6	1.2	2.4
-500	500:5	C50	0.3	0.3	0.3	0.6	1.2
-600	600:5	C100	0.3	0.3	0.3	0.3	0.6
-800	800:5	C100	0.3	0.3	0.3	0.3	0.3
-1000	1000:5	C100	0.3	0.3	0.3	0.3	0.3
-1200	1200:5	C200	0.3	0.3	0.3	0.3	0.3
-1500	1500:5	C200	0.3	0.3	0.3	0.3	0.3
-2000	2000:5	C400	0.3	0.3	0.3	0.3	0.3
-2500	2500:5	C400	0.3	0.3	0.3	0.3	0.3
-3000	3000:5	C400	0.3	0.3	0.3	0.3	0.3
-3500	3500:5	C400	0.3	0.3	0.3	0.3	0.3
-4000	4000:5	C400	0.3	0.3	0.3	0.3	0.3

- ▶ Terminals are brass No. 10-32 UNC.
- ▶ Optional mounting bracket 1115MBK.
- ▶ Approximate weight 56 lb.
- ▶ Additional ratios available.

N.B. Ratios of 2000:5 and greater have a Rf. of 1.5 @ 30°C amb.
Ratios of 4000:5 and greater have a Rf. of 1.33 @ 30°C amb.