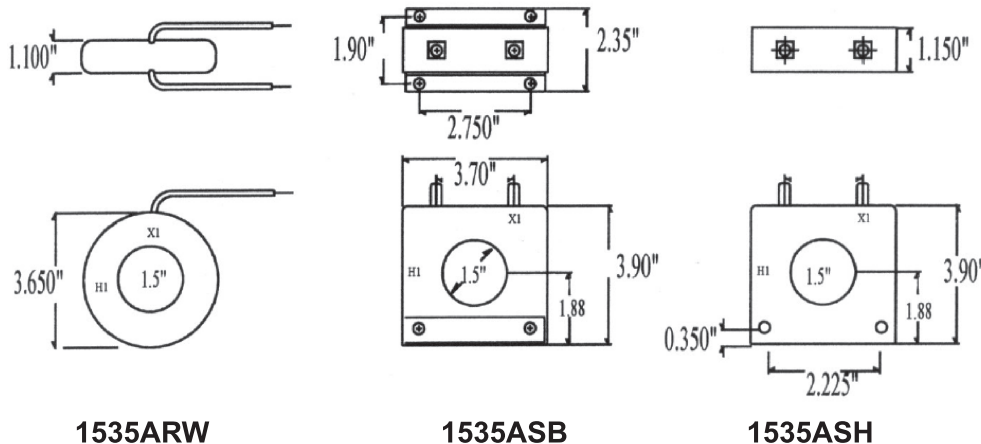


Current Transformers

Window Diameter: 1.5"
Continuous Thermal Rating: 1.33 at 30 C. amb.;
1.0 at 55 C. amb. Average.

Application: Ammeters and Wattmeters & Watthourmeters.
Insulation Class: 0.6 kV. BIL 10kV. full wave 50-400 Hz.
Fully encapsulated.

Standard 5 amp secondary, others available.



To order, please complete the model number with the appropriate suffix.
eg. 1535ARW-100

- ▶ Flexible leads are UL 3173 125 degree C.
- ▶ CSA approved, # 16 AWG 24" long. Non standard length to be specified.
- ▶ Terminals are brass No. 10-32 UNC.
- ▶ Approximate weight 1lb.
- ▶ Additional ratios available.

Model nbr.	Catalogue nbr. Suffix	Current Ratio	VA for ±1% Class	ANSI Metering Class @ 60Hz			
				BO.1	BO.2	BO.5	BO.9
1535ARW	-100	100:5	1.0	1.2	-	-	-
1535ASB	-150	150:5	5.0	1.2	1.2	-	-
1535ASH	-200	200:5	5.0	0.6	0.6	-	-
	-250	250:5	12.5	0.6	0.6	1.2	-
	-300	300:5	15.0	0.3	0.3	1.2	-
	-400	400:5	20.0	0.3	0.3	0.6	1.2
	-500	500:5	25.0	0.3	0.3	0.6	1.2
	-600	600:5	30.0	0.3	0.3	0.3	0.6
	-750	750:5	30.0	0.3	0.3	0.3	0.6
	-800	800:5	30.0	0.3	0.3	0.3	0.6
	-1000	1000:5	35.0	0.3	0.3	0.3	0.6
	-1200	1200:5	40.0	0.3	0.3	0.3	0.6