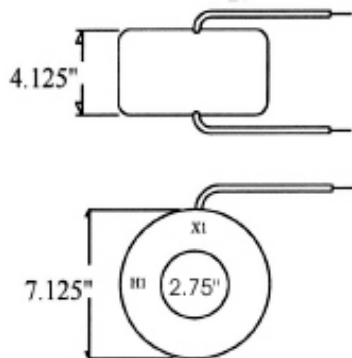


Current Transformers

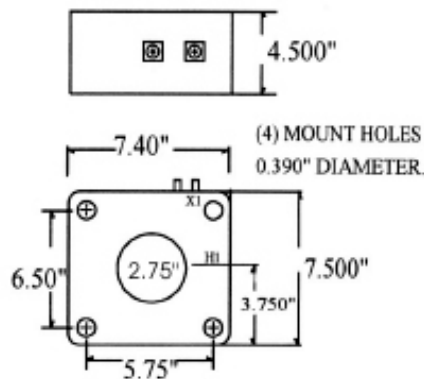
Window Diameter: 2.25"
Continuous Thermal Rating: 1.33 at 30 C. amb.;
1.0 at 55 C. amb. Average.

Application: Ammeters and Wattmeters and Relays.
Insulation Class: 0.6 kV. BIL 10kV. full wave 50-400 Hz.
Fully encapsulated.

Standard 5 amp secondary, others available.



27754RW



27754SH

Model nbr.

27754RW
27754SH

To order, please complete the model number with the appropriate suffix.
eg. 27754RW-100

- ▶ Flexible leads are UL 3134 150 degree C.
- ▶ CSA approved, # 12 AWG 24" long. Nonstandard length to be specified.
- ▶ Terminals are brass No. 10-32 UNC.
- ▶ Optional mounting bracket 27754MBK.
- ▶ Approximate weight 25 lb.
- ▶ Additional ratios available.

Catalogue nbr. Suffix	Current Ratio	VA for ±1% Class	ANSI Metering Class @ 60Hz				
			BO.1	BO.2	BO.5	BO.9	B1.8
-100	100:5	C20	0.6	1.2	2.4	2.4	4.8
-150	150:5	C20	0.3	0.6	1.2	2.4	2.4
-200	200:5	C50	0.3	0.3	0.6	1.2	2.4
-250	250:5	C50	0.3	0.3	0.6	0.6	1.2
-300	300:5	C50	0.3	0.3	0.3	0.6	0.6
-400	400:5	C100	0.3	0.3	0.3	0.3	0.6
-500	500:5	C100	0.3	0.3	0.3	0.3	0.3
-600	600:5	C100	0.3	0.3	0.3	0.3	0.3
-750	750:5	C100	0.3	0.3	0.3	0.3	0.3
-800	800:5	C200	0.3	0.3	0.3	0.3	0.3
-1000	1000:5	C200	0.3	0.3	0.3	0.3	0.3
-1200	1200:5	C200	0.3	0.3	0.3	0.3	0.3
-1500	1500:5	C200	0.3	0.3	0.3	0.3	0.3
-1600	1600:5	C200	0.3	0.3	0.3	0.3	0.3
-2000	2000:5	C200	0.3	0.3	0.3	0.3	0.3