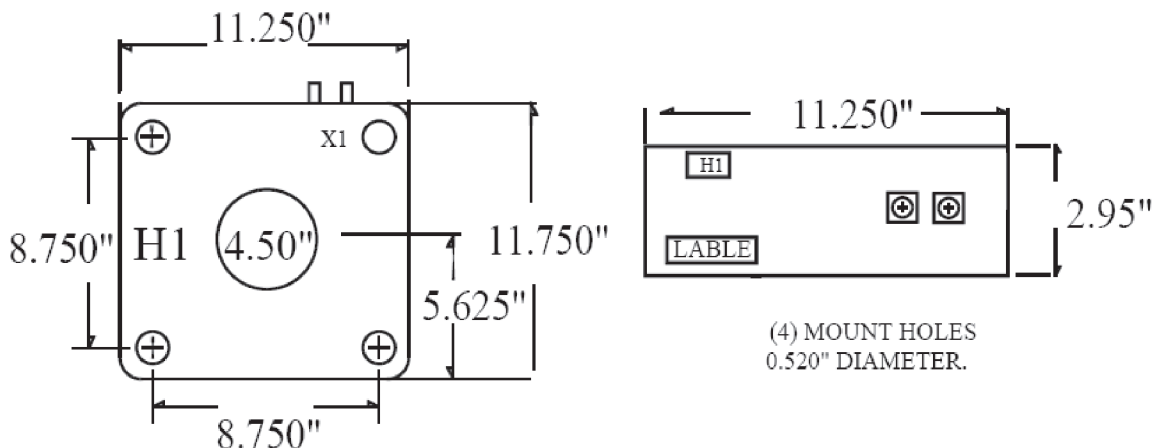


**Current Transformers**

Window Diameter: 4.50"  
Continuous Thermal Rating: 1.33 at 30°C. amb.;  
1.0 at 55°C. amb. Average.

Application: Ammeters and Wattmeters and Relays.  
Insulation Class: 0.6 kV. BIL 10kV. full wave 50-400 Hz.  
Constructed of 35kV polyurethane resin encapsulated  
under vacuum.  
Fully encapsulated.

Standard 5 amp secondary, others available.



To order, please complete the model number with the appropriate suffix.  
eg.45113SH-1000

- ▶ Terminals are brass No. 10-32 UNC.
- ▶ Optional mounting bracket 4511MBK.
- ▶ Approximate weight 40 lb.
- ▶ Additional ratios available.

N.B. Ratios of 3500:5 and greater have a Rf. of 1.2 @ 30°C amb.

Model nbr.	Catalogue nbr. Suffix	Current Ratio	VA for ±1% Class	ANSI Metering Class @ 60Hz				
				BO.1	BO.2	BO.5	BO.9	B1.8
<b>45113SH</b>	-100	100:5	C20	1.2	2.4	4.8	-	-
	-200	200:5	C50	0.3	0.6	1.2	2.4	-
	-300	300:5	C50	0.3	0.3	0.6	1.2	2.4
	-400	400:5	C100	0.3	0.3	0.3	0.6	1.2
	-500	500:5	C100	0.3	0.3	0.3	0.6	0.6
	-600	600:5	C100	0.3	0.3	0.3	0.3	0.6
	-800	800:5	C100	0.3	0.3	0.3	0.3	0.3
	-1000	1000:5	C200	0.3	0.3	0.3	0.3	0.3
	-1200	1200:5	C200	0.3	0.3	0.3	0.3	0.3
	-1500	1500:5	C200	0.3	0.3	0.3	0.3	0.3
	-2000	2000:5	C400	0.3	0.3	0.3	0.3	0.3
	-2500	2500:5	C400	0.3	0.3	0.3	0.3	0.3
	-3000	3000:5	C400	0.3	0.3	0.3	0.3	0.3
	-3200	3200:5	C400	0.3	0.3	0.3	0.3	0.3
	-3500	3500:5	C400	0.3	0.3	0.3	0.3	0.3
	-4000	4000:5	C400	0.3	0.3	0.3	0.3	0.3

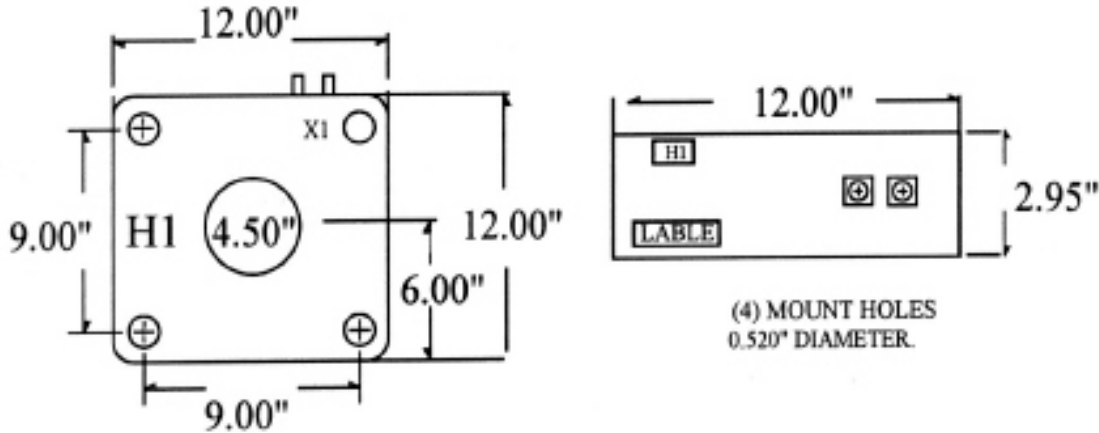
**Superseded by model # 45113SH**

**Current Transformers**

Window Diameter: 4.50"  
 Continuous Thermal Rating: 2.0 at 30°C. amb.;  
 2.0 at 55°C. amb. Average.

Application: Ammeters and Wattmeters and Relays.  
 Insulation Class: 0.6 kV. BIL 10kV. full wave 50-400 Hz.  
 Constructed of 35kV polyurethane resin encapsulated  
 under vacuum.  
 Fully encapsulated.

Standard 5 amp secondary, others available.



**Model nbr.**  
**4512SH**

To order, please complete the model number with the appropriate suffix.  
 eg.4512SH-1000

Catalogue nbr. Suffix	Current Ratio	VA for ±1% Class	ANSI Metering Class @ 60Hz				
			BO.1	BO.2	BO.5	BO.9	B1.8
-100	100:5	C20	1.2	2.4	4.8	-	-
-200	200:5	C50	0.3	0.6	1.2	2.4	-
-300	300:5	C50	0.3	0.3	0.6	1.2	2.4
-400	400:5	C100	0.3	0.3	0.3	0.6	1.2
-500	500:5	C100	0.3	0.3	0.3	0.6	0.6
-600	600:5	C100	0.3	0.3	0.3	0.3	0.6
-800	800:5	C100	0.3	0.3	0.3	0.3	0.3
-1000	1000:5	C200	0.3	0.3	0.3	0.3	0.3
-1500	1500:5	C200	0.3	0.3	0.3	0.3	0.3
-2000	2000:5	C200	0.3	0.3	0.3	0.3	0.3
-2500	2500:5	C400	0.3	0.3	0.3	0.3	0.3
-3000	3000:5	C400	0.3	0.3	0.3	0.3	0.3
-3200	3200:5	C400	0.3	0.3	0.3	0.3	0.3
-3500	3500:5	C400	0.3	0.3	0.3	0.3	0.3
-4000	4000:5	C400	0.3	0.3	0.3	0.3	0.3

- ▶ Terminals are brass No. 10-32 UNC.
- ▶ Optional mounting bracket 4515MBK.
- ▶ Approximate weight 35 lb.
- ▶ Additional ratios available.

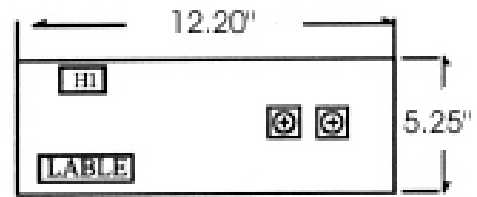
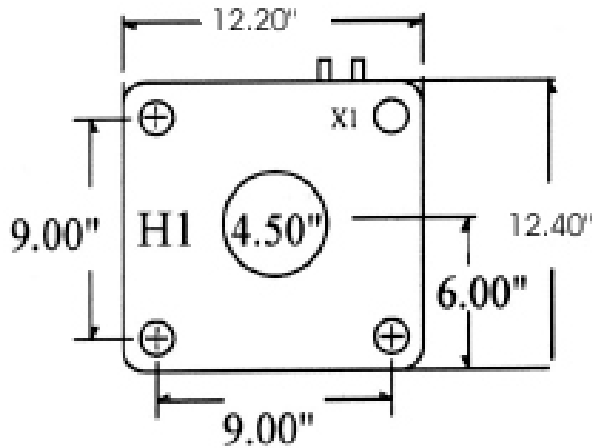
N.B. Ratios of 4000:5 and greater have a Rf. of 1.33 @ 30°C amb.

**Current Transformers**

Window Diameter: 4.50"  
Continuous Thermal Rating: 2.0 at 30°C. amb.;  
2.0 at 55°C. amb. Average.

Application: Ammeters and Wattmeters and Relays.  
Insulation Class: 0.6 kV. BIL 10kV. full wave 50-400 Hz.  
Constructed of 35kV polyurethane resin encapsulated  
under vacuum.  
Fully encapsulated.

Standard 5 amp secondary, others available.



(4) MOUNT HOLES  
0.520" DIAMETER.

To order, please complete the model number with the appropriate suffix.  
eg.45125SH-1000

- ▶ Terminals are brass No. 10-32 UNC.
- ▶ Optional mounting bracket 4515MBK.
- ▶ Approximate weight 70 lb.
- ▶ Additional ratios available.

N.B. Ratios of 2000:5 and greater have a Rf. of 1.5 @ 30°C amb.  
Ratios of 4000:5 and greater have a Rf. of 1.33 @ 30°C amb.

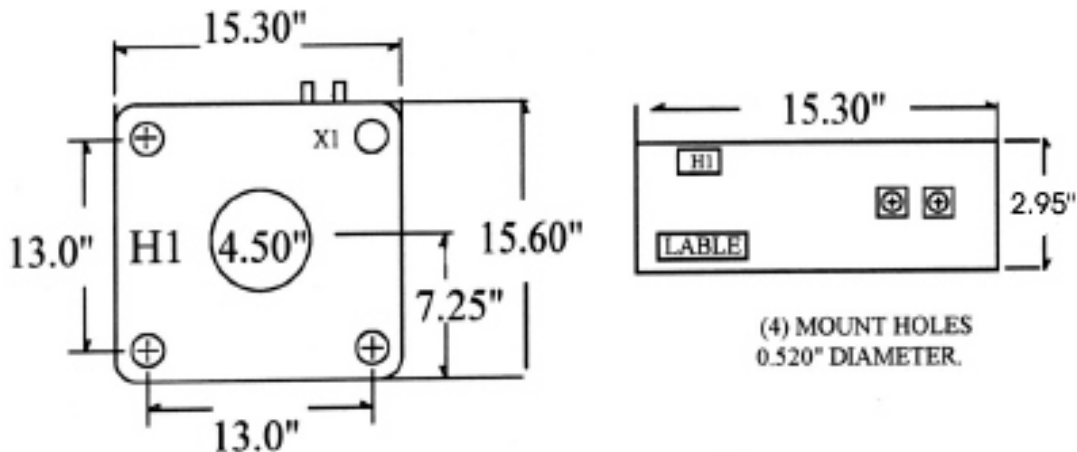
Model nbr.	Catalogue nbr. Suffix	Current Ratio	VA for ±1% Class	ANSI Metering Class @ 60Hz				
				BO.1	BO.2	BO.5	BO.9	B1.8
<b>45125SH</b>	-100	100:5	C40	1.2	2.4	4.8	-	-
	-200	200:5	C100	0.3	0.6	1.2	2.4	-
	-300	300:5	C100	0.3	0.3	0.6	1.2	2.4
	-400	400:5	C200	0.3	0.3	0.3	0.6	1.2
	-500	500:5	C200	0.3	0.3	0.3	0.6	0.6
	-600	600:5	C200	0.3	0.3	0.3	0.3	0.6
	-800	800:5	C200	0.3	0.3	0.3	0.3	0.3
	-1000	1000:5	C400	0.3	0.3	0.3	0.3	0.3
	-1200	1200:5	C400	0.3	0.3	0.3	0.3	0.3
	-1500	1500:5	C400	0.3	0.3	0.3	0.3	0.3
	-2000	2000:5	C800	0.3	0.3	0.3	0.3	0.3
	-2500	2500:5	C800	0.3	0.3	0.3	0.3	0.3
	-3000	3000:5	C800	0.3	0.3	0.3	0.3	0.3
	-3500	3500:5	C800	0.3	0.3	0.3	0.3	0.3
	-4000	4000:5	C800	0.3	0.3	0.3	0.3	0.3

**Current Transformers**

Window Diameter: 4.50"  
Continuous Thermal Rating: 2.0 at 30°C. amb.;  
2.0 at 55°C. amb. Average.

Application: Ammeters and Wattmeters and Relays.  
Insulation Class: 0.6 kV. BIL 10kV. full wave 50-400 Hz.  
Constructed of 35kV polyurethane resin encapsulated  
under vacuum.  
Fully encapsulated.

Standard 5 amp secondary, others available.



**Model nbr.**

**4515SH**

To order, please complete the model number with the appropriate suffix.  
eg.4515SH-1000

Catalogue nbr. Suffix	Current Ratio	VA for ±1% Class	ANSI Metering Class @ 60Hz				
			BO.1	BO.2	BO.5	BO.9	B1.8
-100	100:5	C40	1.2	2.4	4.8	-	-
-200	200:5	C100	0.6	1.2	2.4	2.4	4.8
-300	300:5	C100	0.3	0.6	1.2	2.4	2.4
-400	400:5	C200	0.3	0.3	0.6	1.2	2.4
-500	500:5	C200	0.3	0.3	0.3	0.6	1.2
-600	600:5	C200	0.3	0.3	0.3	0.3	0.6
-800	800:5	C200	0.3	0.3	0.3	0.3	0.3
-1000	1000:5	C400	0.3	0.3	0.3	0.3	0.3
-1200	1200:5	C400	0.3	0.3	0.3	0.3	0.3
-1500	1500:5	C400	0.3	0.3	0.3	0.3	0.3
-2000	2000:5	C800	0.3	0.3	0.3	0.3	0.3
-2500	2500:5	C800	0.3	0.3	0.3	0.3	0.3
-3000	3000:5	C800	0.3	0.3	0.3	0.3	0.3
-3500	3500:5	C800	0.3	0.3	0.3	0.3	0.3
-4000	4000:5	C800	0.3	0.3	0.3	0.3	0.3

- ▶ Terminals are brass No. 10-32 UNC.
- ▶ Optional mounting bracket 4515MBK.
- ▶ Approximate weight 35 lb.
- ▶ Additional ratios available.

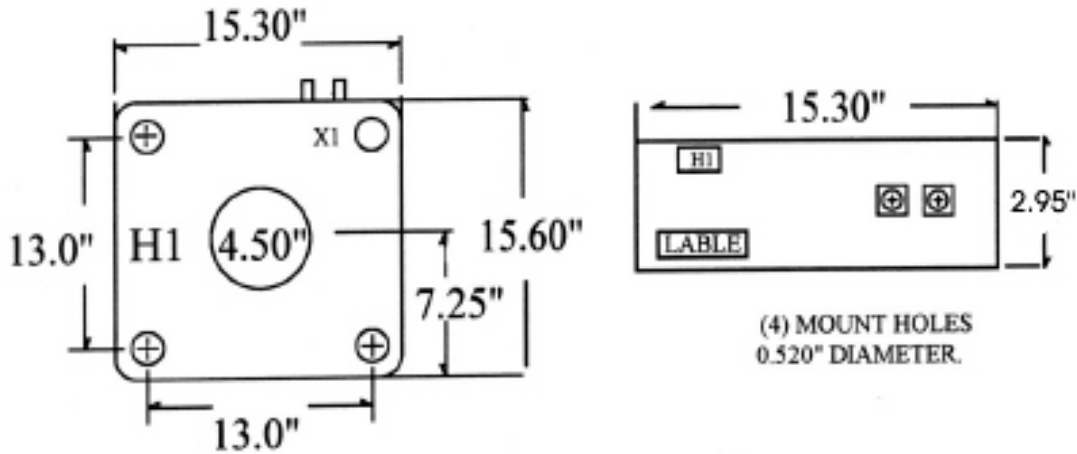
N.B. Ratios of 2000:5 and greater have a Rf. of 1.5 @ 30°C amb.  
Ratios of 4000:5 and greater have a Rf. of 1.33 @ 30°C amb.

**Current Transformers**

Window Diameter: 4.50"  
Continuous Thermal Rating: 2.0 at 30°C. amb.;  
2.0 at 55°C. amb. Average.

Application: Ammeters and Wattmeters and Relays.  
Insulation Class: 0.6 kV. BIL 10kV. full wave 50-400 Hz.  
Constructed of 35kV polyurethane resin encapsulated  
under vacuum.  
Fully encapsulated.

Standard 5 amp secondary, others available.



**Model nbr.**  
**45152SH**

To order, please complete the model number with the appropriate suffix.  
eg.45152SH-1000

Catalogue nbr. Suffix	Current Ratio	VA for ±1% Class	ANSI Metering Class @ 60Hz				
			BO.1	BO.2	BO.5	BO.9	B1.8
-100	100:5	C20	1.2	2.4	4.8	-	-
-200	200:5	C50	0.6	1.2	2.4	2.4	4.8
-300	300:5	C100	0.3	0.6	1.2	1.2	2.4
-400	400:5	C100	0.3	0.3	0.6	1.2	2.4
-500	500:5	C100	0.3	0.3	0.3	0.6	1.2
-600	600:5	C200	0.3	0.3	0.3	0.3	0.6
-800	800:5	C200	0.3	0.3	0.3	0.3	0.3
-1000	1000:5	C200	0.3	0.3	0.3	0.3	0.3
-1200	1200:5	C400	0.3	0.3	0.3	0.3	0.3
-1500	1500:5	C400	0.3	0.3	0.3	0.3	0.3
-2000	2000:5	C800	0.3	0.3	0.3	0.3	0.3
-2500	2500:5	C800	0.3	0.3	0.3	0.3	0.3
-3000	3000:5	C800	0.3	0.3	0.3	0.3	0.3
-3500	3500:5	C800	0.3	0.3	0.3	0.3	0.3
-4000	4000:5	C800	0.3	0.3	0.3	0.3	0.3

- ▶ Terminals are brass No. 10-32 UNC.
- ▶ Optional mounting bracket 4515MBK.
- ▶ Approximate weight 70 lb.
- ▶ Additional ratios available.

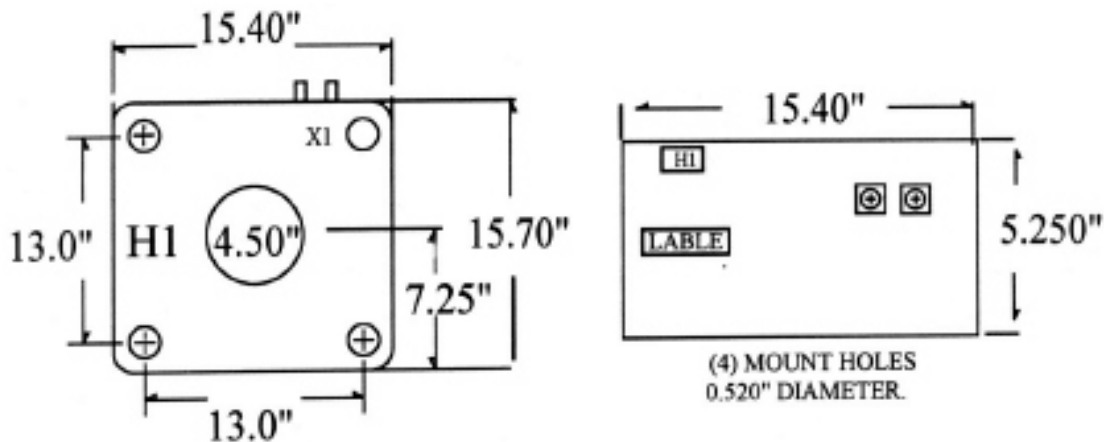
N.B. Ratios of 2000:5 and greater have a Rf. of 1.5 @ 30°C amb.  
Ratios of 4000:5 and greater have a Rf. of 1.33 @ 30°C amb.

**Current Transformers**

Window Diameter: 4.50"  
Continuous Thermal Rating: 2.0 at 30°C. amb.;  
2.0 at 55°C. amb. Average.

Application: Ammeters and Wattmeters and Relays.  
Insulation Class: 0.6 kV. BIL 10kV. full wave 50-400 Hz.  
Constructed of 35kV polyurethane resin encapsulated  
under vacuum.  
Fully encapsulated.

Standard 5 amp secondary, others available.



**Model nbr.**

**45155SH**

To order, please complete the model number with the appropriate suffix.  
eg.45155SH-1000

Catalogue nbr. Suffix	Current Ratio	VA for ±1% Class	ANSI Metering Class @ 60Hz				
			BO.1	BO.2	BO.5	BO.9	B1.8
-100	100:5	C40	0.6	1.2	2.4	4.8	-
-200	200:5	C100	0.3	0.6	1.2	2.4	4.8
-300	300:5	C200	0.3	0.3	0.6	1.2	2.4
-400	400:5	C200	0.3	0.3	0.3	0.6	1.2
-500	500:5	C200	0.3	0.3	0.3	0.3	0.6
-600	600:5	C400	0.3	0.3	0.3	0.3	0.3
-800	800:5	C400	0.3	0.3	0.3	0.3	0.3
-1000	1000:5	C400	0.3	0.3	0.3	0.3	0.3
-1200	1200:5	C800	0.3	0.3	0.3	0.3	0.3
-1500	1500:5	C800	0.3	0.3	0.3	0.3	0.3
-2000	2000:5	C800	0.3	0.3	0.3	0.3	0.3
-2500	2500:5	C800	0.3	0.3	0.3	0.3	0.3
-3000	3000:5	C800	0.3	0.3	0.3	0.3	0.3
-3500	3500:5	C800	0.3	0.3	0.3	0.3	0.3
-4000	4000:5	C800	0.3	0.3	0.3	0.3	0.3

- ▶ Terminals are brass No. 10-32 UNC.
- ▶ Optional mounting bracket 4515MBK.
- ▶ Approximate weight 110 lb.
- ▶ Additional ratios available.

N.B. Ratios of 2000:5 and greater have a Rf. of 1.5 @ 30°C amb.  
Ratios of 4000:5 and greater have a Rf. of 1.33 @ 30°C amb.