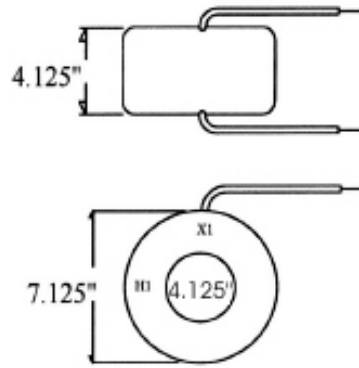


**Current Transformers**

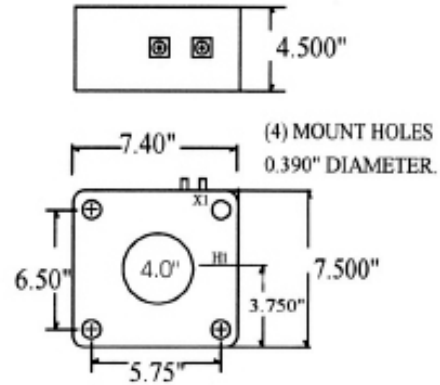
Window Diameter: 4.0"  
Continuous Thermal Rating: 1.33 at 30 C. amb.;  
1.0 at 55 C. amb. Average.

Application: Ammeters and Wattmeters and Relays.  
Insulation Class: 0.6 kV. BIL 10kV. full wave 50-400 Hz.  
Fully encapsulated.

Standard 5 amp secondary, others available.



**40754RW**



**40754SH**

To order, please complete the model number with the appropriate suffix.  
eg. 40754RW-100

- ▶ Flexible leads are UL 3134 150 degree C.
- ▶ CSA approved, # 12 AWG 24" long. Nonstandard length to be specified.
- ▶ Terminals are brass No. 10-32 UNC.
- ▶ Optional mounting bracket 40754MBK.
- ▶ Approximate weight 22 lb.
- ▶ Additional ratios available.

Model nbr.	Catalogue nbr. Suffix	Current Ratio	VA for ±1% Class	ANSI Metering Class @ 60Hz				
				BO.1	BO.2	BO.5	BO.9	B1.8
<b>40754RW</b>	-100	100:5	C10	1.2	1.2	2.4	4.8	-
<b>40754SH</b>	-150	150:5	C20	0.6	0.6	1.2	2.4	4.8
	-200	200:5	C20	0.6	0.6	0.6	1.2	2.4
	-250	250:5	C20	0.3	0.3	0.6	1.2	1.2
	-300	300:5	C20	0.3	0.3	0.3	0.6	1.2
	-400	400:5	C50	0.3	0.3	0.3	0.3	0.6
	-500	500:5	C50	0.3	0.3	0.3	0.3	0.3
	-600	600:5	C50	0.3	0.3	0.3	0.3	0.3
	-750	750:5	C100	0.3	0.3	0.3	0.3	0.3
	-800	800:5	C100	0.3	0.3	0.3	0.3	0.3
	-1000	1000:5	C100	0.3	0.3	0.3	0.3	0.3
	-1200	1200:5	C100	0.3	0.3	0.3	0.3	0.3
	-1500	1500:5	C100	0.3	0.3	0.3	0.3	0.3
	-1600	1600:5	C100	0.3	0.3	0.3	0.3	0.3
	-2000	2000:5	C200	0.3	0.3	0.3	0.3	0.3