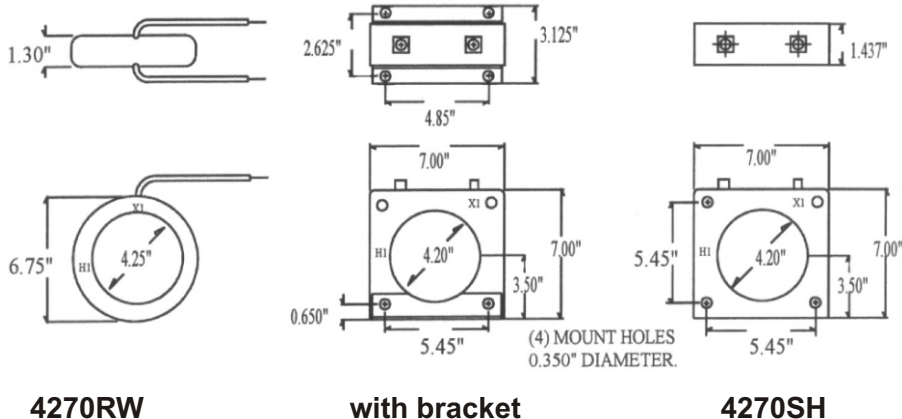


Current Transformers

Window Diameter: 4.20"
Continuous Thermal Rating: 1.33 at 30 C. amb.;
1.0 at 55 C. amb. Average.

Application: Ammeters and Wattmeters and Relays.
Insulation Class: 0.6 kV. BIL 10kV. full wave 50-400 Hz.
Fully encapsulated.

Standard 5 amp secondary, others available.



4270RW

with bracket

4270SH

Model nbr.

4270RW
4270SH

To order, please complete the model number with the appropriate suffix.
eg. 4270RW-600

- ▶ Flexible leads are UL 3173 125 degree C.
- ▶ CSA approved, # 16 AWG 24" long. Nonstandard length to be specified.
- ▶ Terminals are brass No. 10-32 UNC.
- ▶ Optional mounting bracket 4270MBK.
- ▶ Approximate weight 3.25 lb.
- ▶ Additional ratios available.

Catalogue nbr. Suffix	Current Ratio	VA for ±1% Class	ANSI Metering Class @ 60Hz			
			BO.1	BO.2	BO.5	BO.9
-300	300:5	12.5	0.6	0.6	1.2	2.4
-400	400:5	25	0.6	0.6	1.2	1.2
-500	500:5	25	0.3	0.3	0.6	1.2
-600	600:5	25	0.3	0.3	0.6	0.6
-750	750:5	40	0.3	0.3	0.3	0.3
-800	800:5	50	0.3	0.3	0.3	0.3
-1000	1000:5	75	0.3	0.3	0.3	0.3
-1200	1200:5	80	0.3	0.3	0.3	0.3
-1500	1500:5	80	0.3	0.3	0.3	0.3
-1600	1600:5	90	0.3	0.3	0.3	0.3
-2000	2000:5	100	0.3	0.3	0.3	0.3
-2500	2500:5	130	0.3	0.3	0.3	0.3
-3000	3000:5	165	0.3	0.3	0.3	0.3