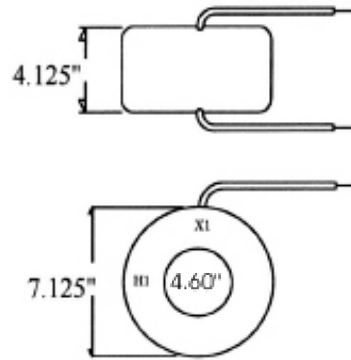


**Current Transformers**

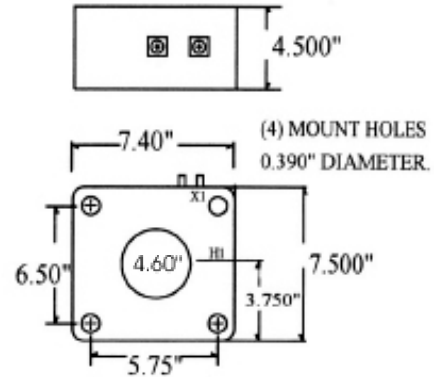
Window Diameter: 4.60"  
Continuous Thermal Rating: 1.33 at 30 C. amb.;  
1.0 at 55 C. amb. Average.

Application: Ammeters and Wattmeters and Relays.  
Insulation Class: 0.6 kV. BIL 10kV. full wave 50-400 Hz.  
Fully encapsulated.

Standard 5 amp secondary, others available.



**46754RW**



**46754SH**

**Model nbr.**  
**46754RW**  
**46754SH**

To order, please complete the model number with the appropriate suffix.  
eg. 46754RW-100

- ▶ Flexible leads are UL 3134 150 degree C.
- ▶ CSA approved, # 12 AWG 24" long. Nonstandard length to be specified.
- ▶ Terminals are brass No. 10-32 UNC.
- ▶ Optional mounting bracket 46754MBK.
- ▶ Approximate weight 13 lb.
- ▶ Additional ratios available.

Catalogue nbr. Suffix	Current Ratio	VA for ±1% Class	ANSI Metering Class @ 60Hz				
			BO.1	BO.2	BO.5	BO.9	B1.8
-100	100:5	-	1.2	2.4	4.8	-	-
-150	150:5	C10	0.6	1.2	2.4	4.8	-
-200	200:5	C10	0.6	0.6	1.2	2.4	4.8
-250	250:5	C20	0.6	0.6	0.6	1.2	2.4
-300	300:5	C20	0.3	0.3	0.6	1.2	2.4
-400	400:5	C20	0.3	0.3	0.6	0.6	1.2
-500	500:5	C20	0.3	0.3	0.3	0.6	0.6
-600	600:5	C50	0.3	0.3	0.3	0.3	0.6
-750	750:5	C50	0.3	0.3	0.3	0.3	0.3
-800	800:5	C50	0.3	0.3	0.3	0.3	0.3
-1000	1000:5	C100	0.3	0.3	0.3	0.3	0.3
-1200	1200:5	C100	0.3	0.3	0.3	0.3	0.3
-1500	1500:5	C100	0.3	0.3	0.3	0.3	0.3
-1600	1600:5	C100	0.3	0.3	0.3	0.3	0.3
-2000	2000:5	C100	0.3	0.3	0.3	0.3	0.3