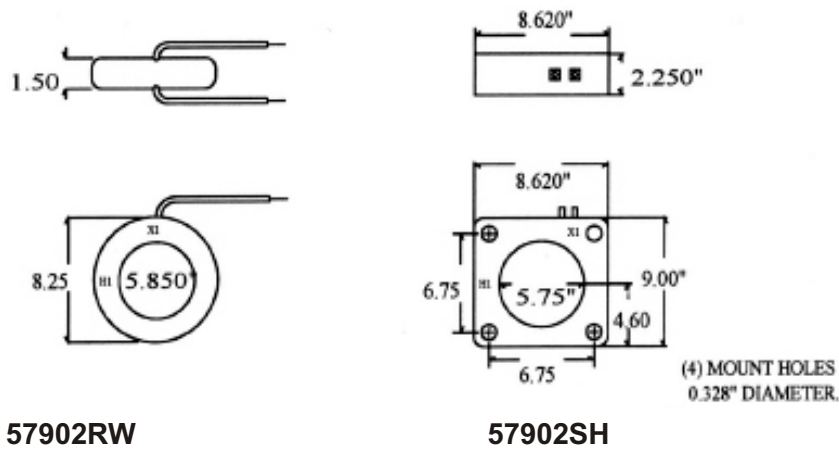


Current Transformers

Window Diameter: 5.75"
Continuous Thermal Rating: 1.33 at 30 C. amb.;
1.0 at 55 C. amb. Average.

Application: Ammeters and Wattmeters and Relays.
Insulation Class: 0.6 kV. BIL 10kV. full wave 50-400 Hz.
Fully encapsulated.

Standard 5 amp secondary, others available.



57902RW

57902SH

To order, please complete the model number with the appropriate suffix.
eg. 57902RW-1000

- ▶ Flexible leads are UL 3173 125 degree C.
- ▶ CSA approved, # 16 AWG 24" long. Nonstandard length to be specified.
- ▶ Terminals are brass No. 10-32 UNC.
- ▶ Optional mounting bracket 57902MBK.
- ▶ Approximate weight 12.5 lb.
- ▶ Additional ratios available.

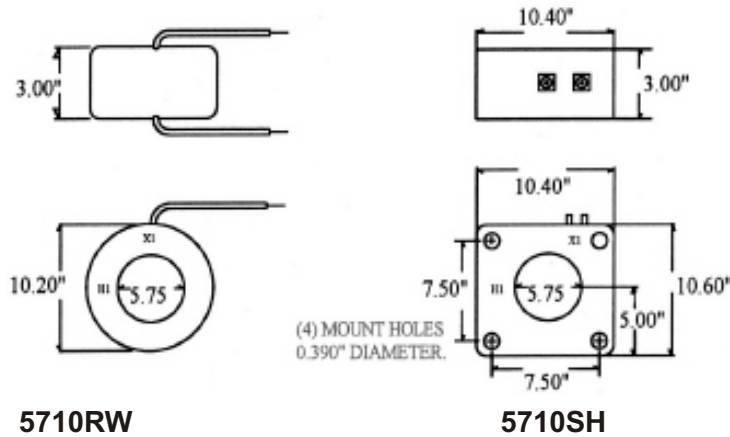
Model nbr.	Catalogue nbr. Suffix	Current Ratio	VA for ±1% Class	ANSI Metering Class @ 60Hz				
				BO.1	BO.2	BO.5	BO.9	B1.8
57902RW	-600	600:5	C20	0.3	0.3	0.3	0.6	1.2
SH	-800	800:5	C50	0.3	0.3	0.3	0.3	0.6
	-1000	1000:5	C50	0.3	0.3	0.3	0.3	0.3
	-1200	1200:5	C50	0.3	0.3	0.3	0.3	0.3
	-1500	1500:5	C50	0.3	0.3	0.3	0.3	0.3
	-1600	1600:5	C50	0.3	0.3	0.3	0.3	0.3
	-2000	2000:5	C50	0.3	0.3	0.3	0.3	0.3
	-2500	2550:5	C50	0.3	0.3	0.3	0.3	0.3
	-3000	3000:5	C50	0.3	0.3	0.3	0.3	0.3
	-3500	3500:5	C50	0.3	0.3	0.3	0.3	0.3
	-4000	4000:5	C50	0.3	0.3	0.3	0.3	0.3

Current Transformers

Window Diameter: 5.75"
Continuous Thermal Rating: 1.33 at 30 C. amb.;
1.0 at 55 C. amb. Average.

Application: Ammeters and Wattmeters and Relays.
Insulation Class: 0.6 kV. BIL 10kV. full wave 50-400 Hz.
Fully encapsulated.

Standard 5 amp secondary, others available.



5710RW

5710SH

To order, please complete the model number with the appropriate suffix.
eg.5710RW-1000

- ▶ Flexible leads are UL 3173 125 degree C.
- ▶ CSA approved, # 12 AWG 24" long. Nonstandard length to be specified.
- ▶ Terminals are brass No. 10-32 UNC.
- ▶ Optional mounting bracket 5710MBK.
- ▶ Approximate weight 20 lb.
- ▶ Additional ratios available.

N.B. Ratios of 4000:5 and greater have a Rf. of 1.0 @ 30°C amb.

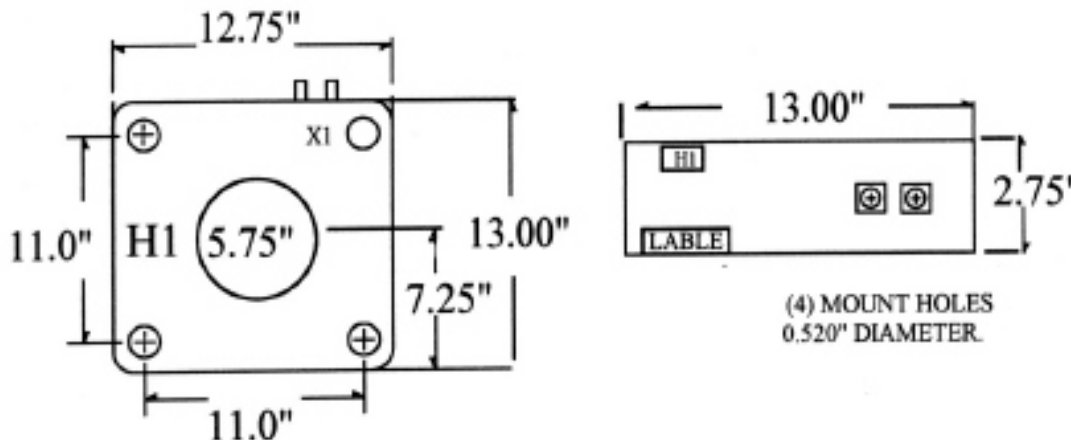
Model nbr.	Catalogue nbr. Suffix	Current Ratio	VA for ±1% Class	ANSI Metering Class @ 60Hz				
				BO.1	BO.2	BO.5	BO.9	B1.8
5710RW	-600	600:5	C50	0.3	0.3	0.3	0.3	0.6
	-750	750:5	C50	0.3	0.3	0.3	0.3	0.6
	-800	800:5	C100	0.3	0.3	0.3	0.3	0.6
	-1000	1000:5	C100	0.3	0.3	0.3	0.3	0.3
	-1200	1200:5	C100	0.3	0.3	0.3	0.3	0.3
	-1500	1500:5	C100	0.3	0.3	0.3	0.3	0.3
	-1600	1600:5	C100	0.3	0.3	0.3	0.3	0.3
	-2000	2000:5	C200	0.3	0.3	0.3	0.3	0.3
	-2500	2550:5	C200	0.3	0.3	0.3	0.3	0.3
	-3000	3000:5	C200	0.3	0.3	0.3	0.3	0.3
	-3200	3200:5	C200	0.3	0.3	0.3	0.3	0.3
	-3500	3500:5	C200	0.3	0.3	0.3	0.3	0.3
	-4000	4000:5	C200	0.3	0.3	0.3	0.3	0.3
	-5000	5000:5	C200	0.3	0.3	0.3	0.3	0.3

Current Transformers

Window Diameter: 5.75"
Continuous Thermal Rating: 2.0 at 30°C. amb.;
2.0 at 55°C. amb. Average.

Application: Ammeters and Wattmeters and Relays.
Insulation Class: 0.6 kV. BIL 10kV. full wave 50-400 Hz.
Constructed of 35kV polyurethane resin encapsulated
under vacuum.
Fully encapsulated.

Standard 5 amp secondary, others available.



Model nbr.

57132SH

To order, please complete the model number with the appropriate suffix.
eg.57132SH-1000

Catalogue nbr. Suffix	Current Ratio	VA for ±1% Class	ANSI Metering Class @ 60Hz				
			BO.1	BO.2	BO.5	BO.9	B1.8
-100	100:5	C5	1.2	2.4	4.8	-	-
-200	200:5	C20	0.6	1.2	2.4	2.4	4.8
-300	300:5	C20	0.3	0.6	1.2	1.2	2.4
-400	400:5	C50	0.3	0.3	0.6	1.2	2.4
-500	500:5	C50	0.3	0.3	0.3	0.6	1.2
-600	600:5	C50	0.3	0.3	0.3	0.3	0.6
-800	800:5	C100	0.3	0.3	0.3	0.3	0.3
-1000	1000:5	C100	0.3	0.3	0.3	0.3	0.3
-1200	1200:5	C200	0.3	0.3	0.3	0.3	0.3
-1500	1500:5	C200	0.3	0.3	0.3	0.3	0.3
-2000	2000:5	C200	0.3	0.3	0.3	0.3	0.3
-2500	2500:5	C400	0.3	0.3	0.3	0.3	0.3
-3000	3000:5	C400	0.3	0.3	0.3	0.3	0.3
-3500	3500:5	C400	0.3	0.3	0.3	0.3	0.3
-4000	4000:5	C400	0.3	0.3	0.3	0.3	0.3

- ▶ Terminals are brass No. 10-32 UNC.
- ▶ Optional mounting bracket 5715MBK.
- ▶ Approximate weight 38 lb.
- ▶ Additional ratios available.

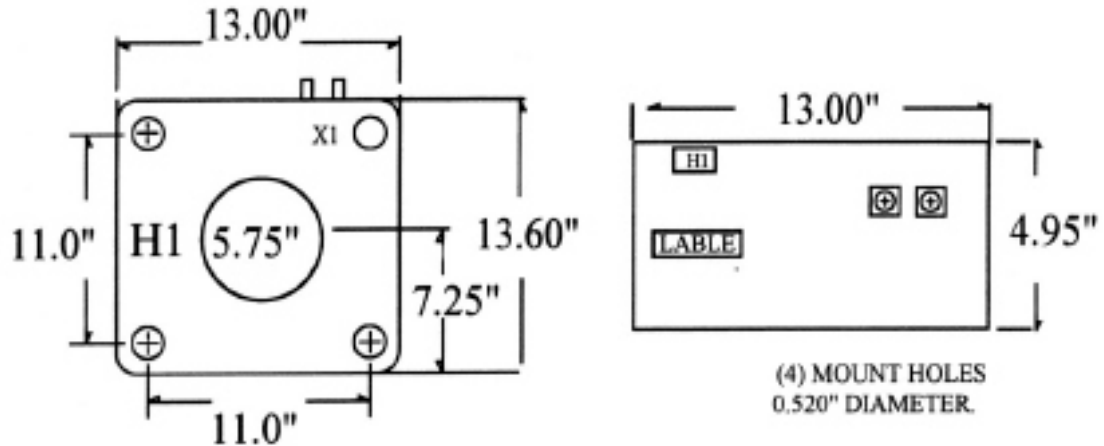
N.B. Ratios of 2000:5 and greater have a Rf. of 1.5 @ 30°C amb.
Ratios of 4000:5 and greater have a Rf. of 1.33 @ 30°C amb.

Current Transformers

Window Diameter: 5.75"
Continuous Thermal Rating: 2.0 at 30°C. amb.;
2.0 at 55°C. amb. Average.

Application: Ammeters and Wattmeters and Relays.
Insulation Class: 0.6 kV. BIL 10kV. full wave 50-400 Hz.
Constructed of 35kV polyurethane resin encapsulated
under vacuum.
Fully encapsulated.

Standard 5 amp secondary, others available.



To order, please complete the model number with the appropriate suffix.
eg.57135SH-1000

- ▶ Terminals are brass No. 10-32 UNC.
- ▶ Optional mounting bracket 5715MBK.
- ▶ Approximate weight 70 lb.
- ▶ Additional ratios available.

N.B. Ratios of 2000:5 and greater have a Rf. of 1.5 @ 30°C amb.
Ratios of 4000:5 and greater have a Rf. of 1.33 @ 30°C amb.

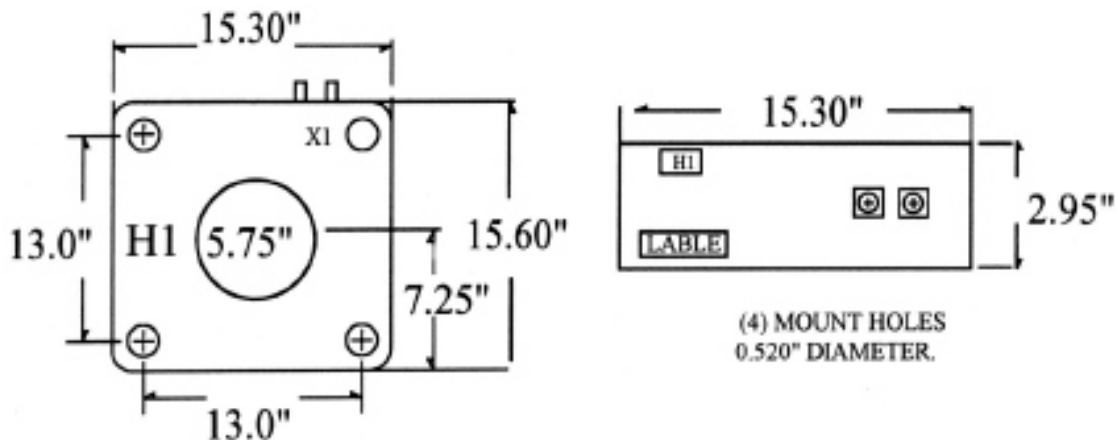
Model nbr.	Catalogue nbr. Suffix	Current Ratio	VA for ±1% Class	ANSI Metering Class @ 60Hz				
				BO.1	BO.2	BO.5	BO.9	B1.8
57135SH	-100	100:5	C20	1.2	2.4	4.8	-	-
	-200	200:5	C50	0.6	1.2	2.4	2.4	4.8
	-300	300:5	C100	0.3	0.6	1.2	1.2	2.4
	-400	400:5	C100	0.3	0.3	0.6	1.2	2.4
	-500	500:5	C100	0.3	0.3	0.3	0.6	1.2
	-600	600:5	C200	0.3	0.3	0.3	0.3	0.6
	-800	800:5	C200	0.3	0.3	0.3	0.3	0.3
	-1000	1000:5	C200	0.3	0.3	0.3	0.3	0.3
	-1200	1200:5	C400	0.3	0.3	0.3	0.3	0.3
	-1500	1500:5	C400	0.3	0.3	0.3	0.3	0.3
	-2000	2000:5	C800	0.3	0.3	0.3	0.3	0.3
	-2500	2500:5	C800	0.3	0.3	0.3	0.3	0.3
	-3000	3000:5	C800	0.3	0.3	0.3	0.3	0.3
	-3500	3500:5	C800	0.3	0.3	0.3	0.3	0.3
	-4000	4000:5	C800	0.3	0.3	0.3	0.3	0.3

Current Transformers

Window Diameter: 5.60"
Continuous Thermal Rating: 2.0 at 30°C. amb.;
2.0 at 55°C. amb. Average.

Application: Ammeters and Wattmeters and Relays.
Insulation Class: 0.6 kV. BIL 10kV. full wave 50-400 Hz.
Constructed of 35kV polyurethane resin encapsulated
under vacuum.
Fully encapsulated.

Standard 5 amp secondary, others available.



Model nbr.

5515SH

To order, please complete the model number with the appropriate suffix.
eg.5515SH-1000

Catalogue nbr. Suffix	Current Ratio	VA for ±1% Class	ANSI Metering Class @ 60Hz				
			BO.1	BO.2	BO.5	BO.9	B1.8
-100	100:5	C5	1.2	2.4	4.8	-	-
-200	200:5	C20	0.6	1.2	2.4	2.4	4.8
-300	300:5	C50	0.3	0.6	1.2	1.2	2.4
-400	400:5	C50	0.3	0.3	0.6	1.2	2.4
-500	500:5	C50	0.3	0.3	0.3	0.6	1.2
-600	600:5	C100	0.3	0.3	0.3	0.3	0.6
-800	800:5	C100	0.3	0.3	0.3	0.3	0.3
-1000	1000:5	C100	0.3	0.3	0.3	0.3	0.3
-1200	1200:5	C200	0.3	0.3	0.3	0.3	0.3
-1500	1500:5	C200	0.3	0.3	0.3	0.3	0.3
-2000	2000:5	C400	0.3	0.3	0.3	0.3	0.3
-2500	2500:5	C400	0.3	0.3	0.3	0.3	0.3
-3000	3000:5	C400	0.3	0.3	0.3	0.3	0.3
-3500	3500:5	C400	0.3	0.3	0.3	0.3	0.3
-4000	4000:5	C400	0.3	0.3	0.3	0.3	0.3

- ▶ Terminals are brass No. 10-32 UNC.
- ▶ Optional mounting bracket 4515MBK.
- ▶ Approximate weight 35 lb.
- ▶ Additional ratios available.

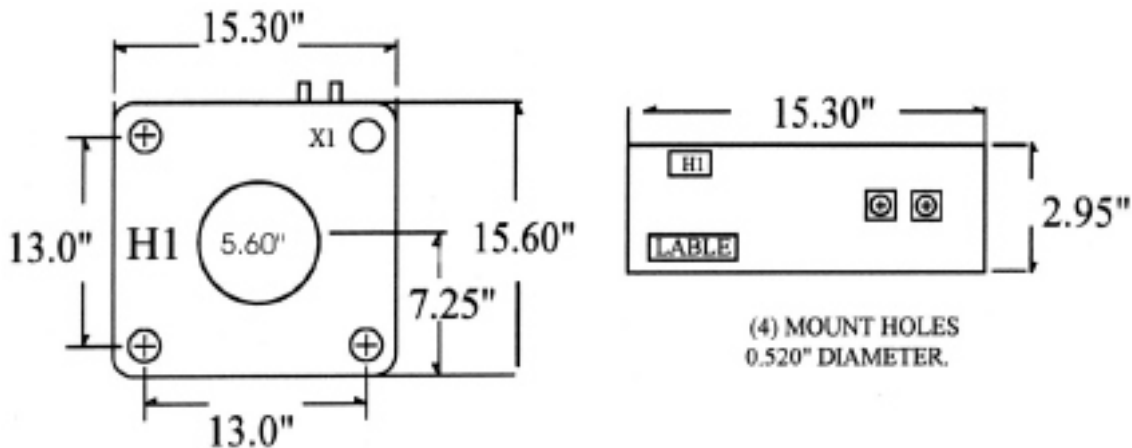
N.B. Ratios of 2000:5 and greater have a Rf. of 1.5 @ 30°C amb.
Ratios of 4000:5 and greater have a Rf. of 1.33 @ 30°C amb.

Current Transformers

Window Diameter: 5.60"
Continuous Thermal Rating: 2.0 at 30°C. amb.;
2.0 at 55°C. amb. Average.

Application: Ammeters and Wattmeters and Relays.
Insulation Class: 0.6 kV. BIL 10kV. full wave 50-400 Hz.
Constructed of 35kV polyurethane resin encapsulated
under vacuum.
Fully encapsulated.

Standard 5 amp secondary, others available.



Model nbr.
55152SH

To order, please complete the model number with the appropriate suffix.
eg.55152SH-1000

Catalogue nbr. Suffix	Current Ratio	VA for ±1% Class	ANSI Metering Class @ 60Hz				
			BO.1	BO.2	BO.5	BO.9	B1.8
-100	100:5	C20	1.2	2.4	4.8	-	-
-200	200:5	C50	0.6	1.2	2.4	2.4	4.8
-300	300:5	C100	0.3	0.6	1.2	1.2	2.4
-400	400:5	C100	0.3	0.3	0.6	1.2	2.4
-500	500:5	C100	0.3	0.3	0.3	0.6	1.2
-600	600:5	C200	0.3	0.3	0.3	0.3	0.6
-800	800:5	C200	0.3	0.3	0.3	0.3	0.3
-1000	1000:5	C200	0.3	0.3	0.3	0.3	0.3
-1200	1200:5	C400	0.3	0.3	0.3	0.3	0.3
-1500	1500:5	C400	0.3	0.3	0.3	0.3	0.3
-2000	2000:5	C800	0.3	0.3	0.3	0.3	0.3
-2500	2500:5	C800	0.3	0.3	0.3	0.3	0.3
-3000	3000:5	C800	0.3	0.3	0.3	0.3	0.3
-3500	3500:5	C800	0.3	0.3	0.3	0.3	0.3
-4000	4000:5	C800	0.3	0.3	0.3	0.3	0.3

- ▶ Terminals are brass No. 10-32 UNC.
- ▶ Optional mounting bracket 4515MBK.
- ▶ Approximate weight 70 lb.
- ▶ Additional ratios available.

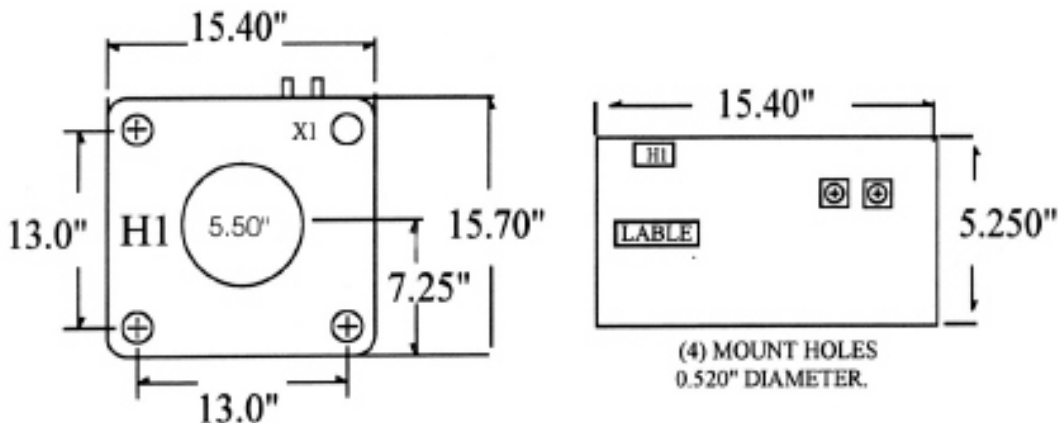
N.B. Ratios of 2000:5 and greater have a Rf. of 1.5 @ 30°C amb.
Ratios of 4000:5 and greater have a Rf. of 1.33 @ 30°C amb.

Current Transformers

Window Diameter: 5.50"
Continuous Thermal Rating: 2.0 at 30°C. amb.;
2.0 at 55°C. amb. Average.

Application: Ammeters and Wattmeters and Relays.
Insulation Class: 0.6 kV. BIL 10kV. full wave 50-400 Hz.
Constructed of 35kV polyurethane resin encapsulated
under vacuum.
Fully encapsulated.

Standard 5 amp secondary, others available.



To order, please complete the model number with the appropriate suffix.
eg.55155SH-1000

- ▶ Terminals are brass No. 10-32 UNC.
- ▶ Optional mounting bracket 4515MBK.
- ▶ Approximate weight 130 lb.
- ▶ Additional ratios available.

N.B. Ratios of 2000:5 and greater have a Rf. of 1.5 @ 30°C amb.
Ratios of 4000:5 and greater have a Rf. of 1.33 @ 30°C amb.

Model nbr.	Catalogue nbr. Suffix	Current Ratio	VA for ±1% Class	ANSI Metering Class @ 60Hz				
				BO.1	BO.2	BO.5	BO.9	B1.8
55155SH	-100	100:5	C40	0.6	1.2	2.4	4.8	-
	-200	200:5	C100	0.3	0.6	1.2	2.4	4.8
	-300	300:5	C200	0.3	0.3	0.6	1.2	2.4
	-400	400:5	C200	0.3	0.3	0.3	0.6	1.2
	-500	500:5	C200	0.3	0.3	0.3	0.3	0.6
	-600	600:5	C400	0.3	0.3	0.3	0.3	0.3
	-800	800:5	C400	0.3	0.3	0.3	0.3	0.3
	-1000	1000:5	C400	0.3	0.3	0.3	0.3	0.3
	-1200	1200:5	C800	0.3	0.3	0.3	0.3	0.3
	-1500	1500:5	C800	0.3	0.3	0.3	0.3	0.3
	-2000	2000:5	C800	0.3	0.3	0.3	0.3	0.3
	-2500	2500:5	C800	0.3	0.3	0.3	0.3	0.3
	-3000	3000:5	C800	0.3	0.3	0.3	0.3	0.3
	-3500	3500:5	C800	0.3	0.3	0.3	0.3	0.3
	-4000	4000:5	C800	0.3	0.3	0.3	0.3	0.3