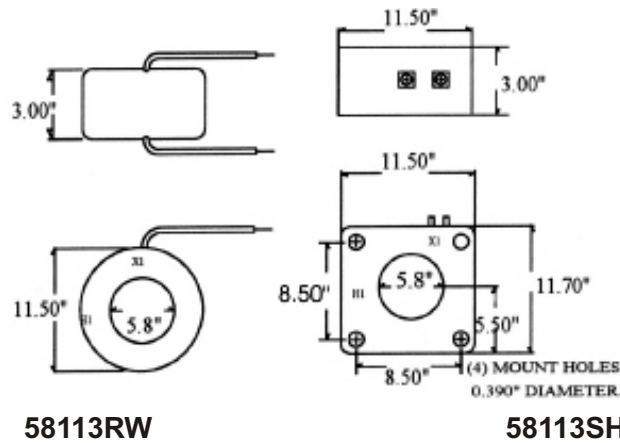


**Current Transformers**

Window Diameter: 5.80"  
 Continuous Thermal Rating: 1.33 at 30°C. amb.;  
 1.0 at 55°C. amb. Average.  
 Standard 5 amp secondary, others available.

Application: Ammeters and Wattmeters and Relays.  
 Insulation Class: 0.6 kV. BIL 10kV. full wave 50-400 Hz.  
 Model SH is constructed of 35kV polyurethane resin  
 encapsulated under vacuum.  
 Fully encapsulated.



**58113RW**

**58113SH**

**Model nbr.**  
**58113RW**  
**SH**

To order, please complete the model number with the appropriate suffix.  
 eg.58113RW-1000

- ▶ Flexible leads are UL 3173 150°C.
- ▶ CSA approved, # 10 AWG 24" long. Nonstandard length to be specified.
- ▶ Terminals are brass No. 10-32 UNC.
- ▶ Optional mounting bracket 58113MBK.
- ▶ Approximate weight 40 lb.
- ▶ Additional ratios available.

N.B. Ratios of 4000:5 and greater have a Rf. of 1.0 @ 30°C amb.

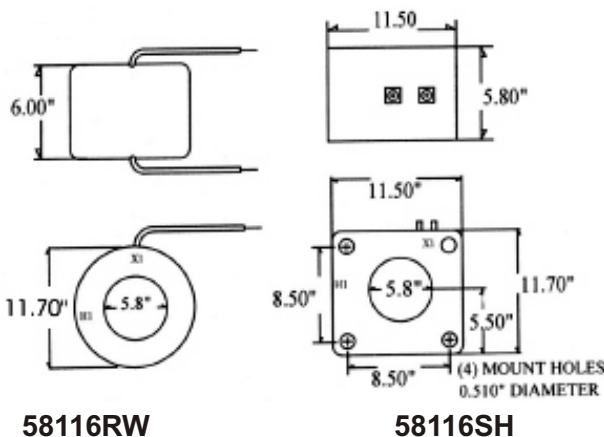
Catalogue nbr. Suffix	Current Ratio	VA for ±1% Class	ANSI Metering Class @ 60Hz				
			BO.1	BO.2	BO.5	BO.9	B1.8
-600	600:5	C100	0.3	0.3	0.3	0.3	0.3
-750	750:5	C200	0.3	0.3	0.3	0.3	0.3
-800	800:5	C200	0.3	0.3	0.3	0.3	0.3
-1000	1000:5	C200	0.3	0.3	0.3	0.3	0.3
-1200	1200:5	C200	0.3	0.3	0.3	0.3	0.3
-1500	1500:5	C200	0.3	0.3	0.3	0.3	0.3
-1600	1600:5	C200	0.3	0.3	0.3	0.3	0.3
-2000	2000:5	C200	0.3	0.3	0.3	0.3	0.3
-2500	2500:5	C400	0.3	0.3	0.3	0.3	0.3
-3000	3000:5	C400	0.3	0.3	0.3	0.3	0.3
-3500	3500:5	C400	0.3	0.3	0.3	0.3	0.3
-4000	4000:5	C400	0.3	0.3	0.3	0.3	0.3
-5000	5000:5	C400	0.3	0.3	0.3	0.3	0.3
-6000	6000:5	C400	0.3	0.3	0.3	0.3	0.3

**Current Transformers**

Window Diameter: 5.80"  
Continuous Thermal Rating: 1.33 at 30°C. amb.;  
1.0 at 55°C. amb. Average.

Application: Ammeters and Wattmeters and Relays.  
Insulation Class: 0.6 kV. BIL 10kV. full wave 50-400 Hz.  
Model SH is constructed of 35kV polyurethane resin  
encapsulated under vacuum.  
Fully encapsulated.

Standard 5 amp secondary, others available.



**Model nbr.**

**58116RW**  
**SH**

To order, please complete the model number with the appropriate suffix.  
eg.58116RW-1000

- ▶ Flexible leads are UL 3174 150°C.
- ▶ CSA approved, # 10 AWG 24" long. Nonstandard length to be specified.
- ▶ Terminals are brass No. 10-32 UNC.
- ▶ Optional mounting bracket 58116MBK.
- ▶ Approximate weight 83 lb.
- ▶ Additional ratios available.

N.B. Ratios of 4000:5 and greater have a Rf. of 1.0 @ 30°C amb.

Catalogue nbr. Suffix	Current Ratio	VA for ±1% Class	ANSI Metering Class @ 60Hz				
			BO.1	BO.2	BO.5	BO.9	B1.8
-100	100:5	C50	0.6	1.2	2.4	-	-
-200	200:5	C100	0.3	0.6	0.6	1.2	1.2
-300	300:5	C100	0.3	0.3	0.3	0.6	0.6
-400	400:5	C200	0.3	0.3	0.3	0.3	0.6
-500	500:5	C200	0.3	0.3	0.3	0.3	0.3
-600	600:5	C200	0.3	0.3	0.3	0.3	0.3
-750	750:5	C400	0.3	0.3	0.3	0.3	0.3
-1000	1000:5	C400	0.3	0.3	0.3	0.3	0.3
-1500	1500:5	C400	0.3	0.3	0.3	0.3	0.3
-2000	2000:5	C800	0.3	0.3	0.3	0.3	0.3
-2500	2500:5	C800	0.3	0.3	0.3	0.3	0.3
-3000	3000:5	C800	0.3	0.3	0.3	0.3	0.3
-3200	3200:5	C800	0.3	0.3	0.3	0.3	0.3
-3500	3500:5	C800	0.3	0.3	0.3	0.3	0.3
-4000	4000:5	C800	0.3	0.3	0.3	0.3	0.3
-5000	5000:5	C800	0.3	0.3	0.3	0.3	0.3
-6000	6000:5	C800	0.3	0.3	0.3	0.3	0.3