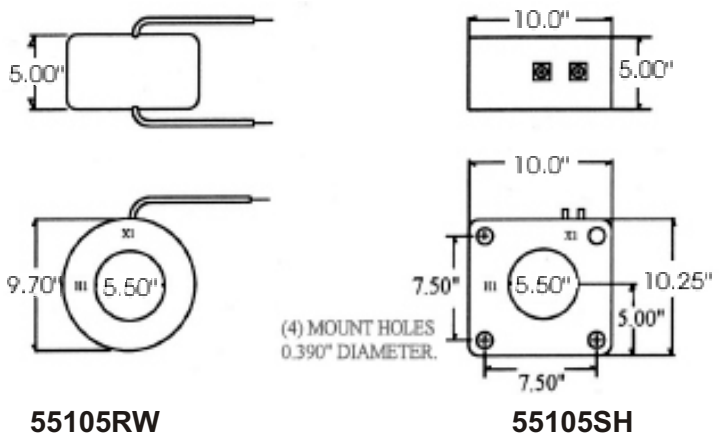


**Current Transformers**

Window Diameter: 5.50"  
Continuous Thermal Rating: 2.0 at 30°C. amb.;  
1.5 at 55°C. amb. Average.

Application: Ammeters and Wattmeters and Relays.  
Insulation Class: 0.6 kV. BIL 10kV. full wave 50-400 Hz.  
Model SH is constructed of 35kV polyurethane resin  
encapsulated under vacuum.  
Fully encapsulated.

Standard 5 amp secondary, others available.



**55105RW**

**55105SH**

To order, please complete the model number with the appropriate suffix.  
eg.55105RW-1000

- ▶ Flexible leads are UL 3173 150°C.
- ▶ CSA approved, # 10 AWG 24" long. Nonstandard length to be specified.
- ▶ Terminals are brass No. 10-32 UNC.
- ▶ Optional mounting bracket 55105MBK.
- ▶ Approximate weight 50 lb.
- ▶ Additional ratios available.

Model nbr.	Catalogue nbr. Suffix	Current Ratio	VA for ±1% Class	ANSI Metering Class @ 60Hz				
				BO.1	BO.2	BO.5	BO.9	B1.8
<b>55105RW</b>	-600	600:5	C100	0.3	0.3	0.3	0.3	0.3
	-750	750:5	C100	0.3	0.3	0.3	0.3	0.3
	-800	800:5	C100	0.3	0.3	0.3	0.3	0.3
	-1000	1000:5	C100	0.3	0.3	0.3	0.3	0.3
	-1200	1200:5	C200	0.3	0.3	0.3	0.3	0.3
	-1500	1500:5	C200	0.3	0.3	0.3	0.3	0.3
	-1600	1600:5	C200	0.3	0.3	0.3	0.3	0.3
	-2000	2000:5	C200	0.3	0.3	0.3	0.3	0.3
	-2500	2500:5	C400	0.3	0.3	0.3	0.3	0.3
	-3000	3000:5	C400	0.3	0.3	0.3	0.3	0.3
	-3500	3500:5	C400	0.3	0.3	0.3	0.3	0.3
	-4000	4000:5	C400	0.3	0.3	0.3	0.3	0.3
	-5000	5000:5	C400	0.3	0.3	0.3	0.3	0.3

N.B. Ratios of 4000:5 and greater have a Rf. of 1.0 @ 30°C amb.