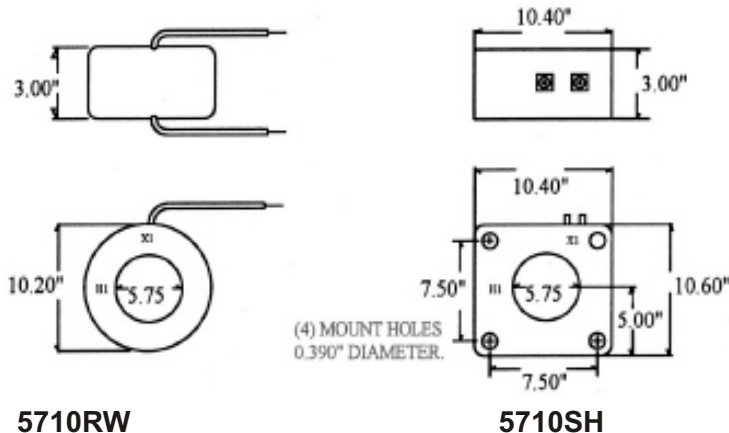


Current Transformers

Window Diameter: 5.75"
Continuous Thermal Rating: 1.33 at 30 C. amb.;
1.0 at 55 C. amb. Average.

Application: Ammeters and Wattmeters and Relays.
Insulation Class: 0.6 kV. BIL 10kV. full wave 50-400 Hz.
Fully encapsulated.

Standard 5 amp secondary, others available.



5710RW

5710SH

Model nbr.

5710RW
SH

To order, please complete the model number with the appropriate suffix.
eg.5710RW-1000

- ▶ Flexible leads are UL 3173 125 degree C.
- ▶ CSA approved, # 12 AWG 24" long. Nonstandard length to be specified.
- ▶ Terminals are brass No. 10-32 UNC.
- ▶ Optional mounting bracket 5710MBK.
- ▶ Approximate weight 20 lb.
- ▶ Additional ratios available.

N.B. Ratios of 4000:5 and greater have a Rf. of 1.0 @ 30°C amb.

Catalogue nbr. Suffix	Current Ratio	VA for ±1% Class	ANSI Metering Class @ 60Hz				
			BO.1	BO.2	BO.5	BO.9	B1.8
-600	600:5	C50	0.3	0.3	0.3	0.3	0.6
-750	750:5	C50	0.3	0.3	0.3	0.3	0.6
-800	800:5	C100	0.3	0.3	0.3	0.3	0.6
-1000	1000:5	C100	0.3	0.3	0.3	0.3	0.3
-1200	1200:5	C100	0.3	0.3	0.3	0.3	0.3
-1500	1500:5	C100	0.3	0.3	0.3	0.3	0.3
-1600	1600:5	C100	0.3	0.3	0.3	0.3	0.3
-2000	2000:5	C200	0.3	0.3	0.3	0.3	0.3
-2500	2550:5	C200	0.3	0.3	0.3	0.3	0.3
-3000	3000:5	C200	0.3	0.3	0.3	0.3	0.3
-3200	3200:5	C200	0.3	0.3	0.3	0.3	0.3
-3500	3500:5	C200	0.3	0.3	0.3	0.3	0.3
-4000	4000:5	C200	0.3	0.3	0.3	0.3	0.3
-5000	5000:5	C200	0.3	0.3	0.3	0.3	0.3