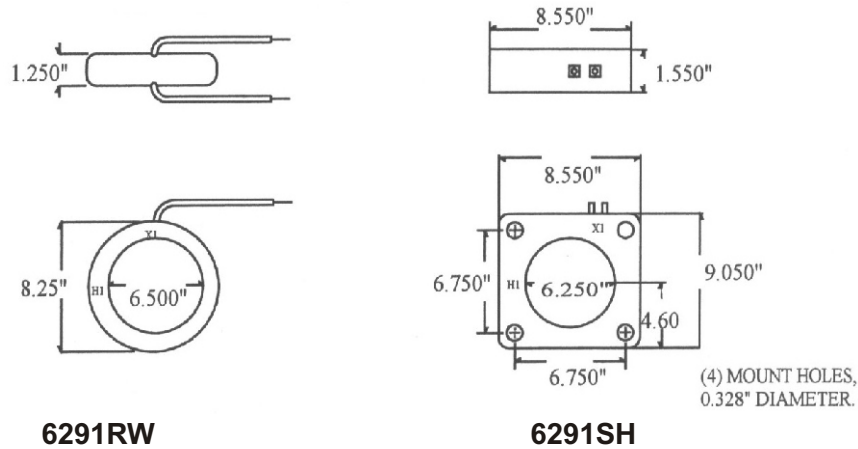


Current Transformers

Window Diameter: 6.25"
Continuous Thermal Rating: 1.33 at 30 C. amb.;
1.0 at 55 C. amb. Average.

Application: Ammeters and Wattmeters and Relays.
Insulation Class: 0.6 kV. BIL 10kV. full wave 50-400 Hz.
Fully encapsulated.

Standard 5 amp secondary, others available.



6291RW

6291SH

Model nbr.
6291RW
6291SH

Catalogue nbr. Suffix	Current Ratio	ANSI Metering Class @ 60Hz			
		BO.1	BO.2	BO.5	BO.9
-600	600:5	0.6	0.6	1.2	-
-750	750:5	0.6	0.6	0.6	1.2
-800	800:5	0.3	0.3	0.6	1.2
-1000	1000:5	0.3	0.3	0.3	1.2
-1200	1200:5	0.3	0.3	0.3	0.6
-1500	1500:5	0.3	0.3	0.3	0.3
-1600	1600:5	0.3	0.3	0.3	0.3
-2000	2000:5	0.3	0.3	0.3	0.3
-2500	2500:5	0.3	0.3	0.3	0.3
-3000	3000:5	0.3	0.3	0.3	0.3
-3500	3500:5	0.3	0.3	0.3	0.3
-4000	4000:5	0.3	0.3	0.3	0.3

To order, please complete the model number with the appropriate suffix.
eg. 6291RW-600

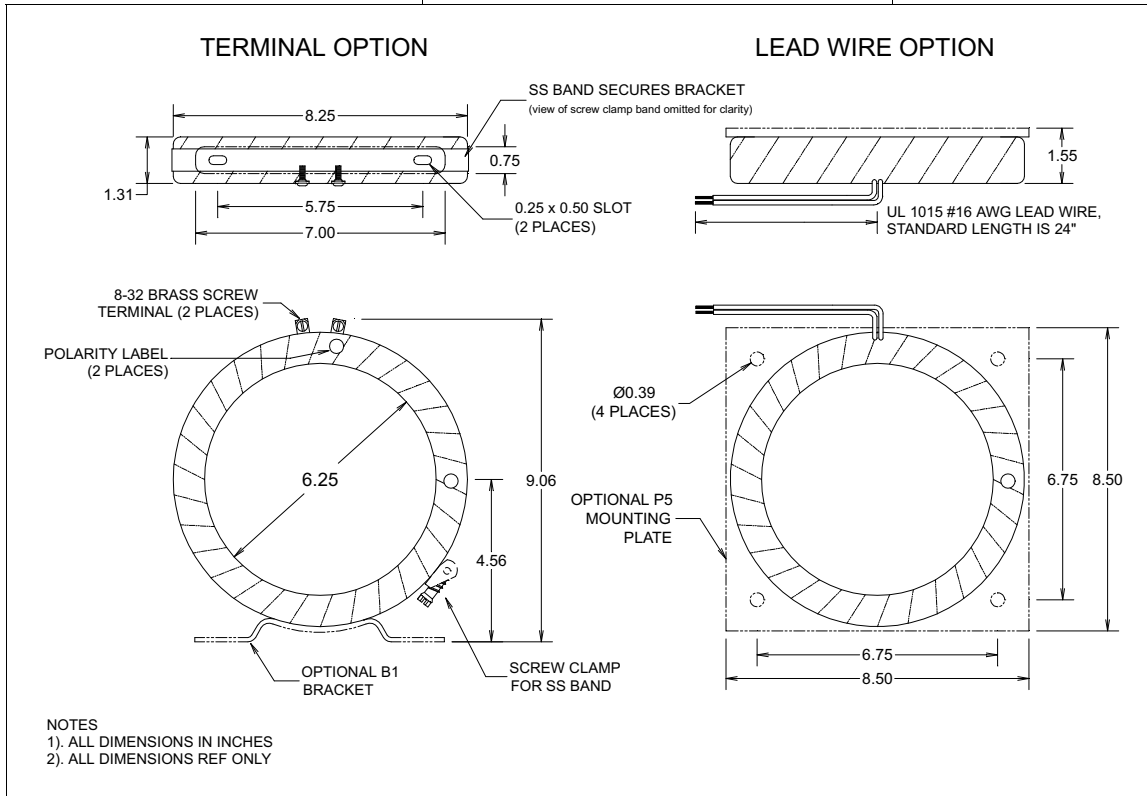
- ▶ Flexible leads are UL 3173 125 degree C.
- ▶ CSA approved, # 16 AWG 24" long. Nonstandard length to be specified.
- ▶ Terminals are brass No. 10-32 UNC.
- ▶ Optional mounting bracket 6291MBK.
- ▶ Approximate weight 4.5 lb.
- ▶ Additional ratios available.

CURRENT TRANSFORMER
MODEL K

6.25" I.D.

PAGE No 1-22

REV 14DEC00



Specifications

Secondary sources 5 amps AC at rated F.S. primary current

Nominal operating frequency range is 50-400HZ

Thermal rating factor is 1.33 @ 30C for ratios up thru 4000:5A, 1.15 @ 30C for ratios above 4000:5A

Insulation voltage class is 0.6KV BIL 10KV

For indoor applications only

Reference documents IEEE C57.13, UL1244, and IEC 44-1

Enclosure is multi-layer tape buildup with heavy vinyl finish, color is black

Optional bracket is aluminum, optional plate is XX phenolic

Options, contact Factory for information

Medium voltage insulation classes (lead wires only, physical size increases)

1, 0.2, and 0.1 A output at F.S. primary amperage. Other non-standard ratings also available

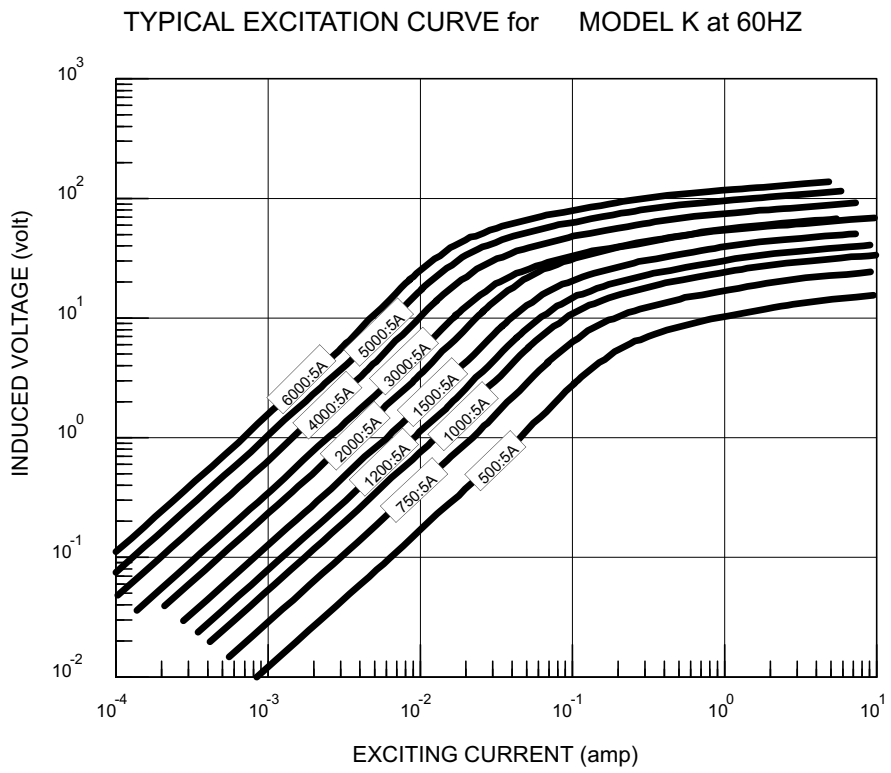
8-32 Screw Terminals or #16 AWG UL 1015 Lead Wires

Custom lead wire lengths and types

Thermal ratings above 1.33 for selected ratios

Center tap and custom multi tap winding arrangements

6.25" I.D.	CURRENT TRANSFORMER MODEL K
PAGE No 1-23	
REV 14DEC00	



NUMBER *	RATIO	ACCURACY @ 60HZ, pf = 0.95		NOMINAL WINDING RESISTANCE (ohm)
		± %	BURDEN (VA)	
K-500-00-xxx	500:5A	1.0	6.0	0.12
K-750-00-xxx	750:5A	1.0	15	0.18
K-1000-00-xxx	1000:5A	1.0	25	0.35
K-1200-00-xxx	1200:5A	1.0	40	0.40
K-1500-00-xxx	1500:5A	1.0	65	0.50
K-2000-00-xxx	2000:5A	1.0	85	0.65
K-3000-00-xxx	3000:5A	1.0	75	0.90
K-4000-00-xxx	4000:5A	1.0	90	1.20
K-5000-00-xxx	5000:5A	1.0	115	1.80
K-6000-00-xxx	6000:5A	1.0	135	2.20

* "xxx" describes termination: "T" FOR BRASS SCREW TERMINALS, "Lyyy" FOR LEAD WIRES (Where "yyy" is the lead length in inches. For example, "L24" represents 24 inch