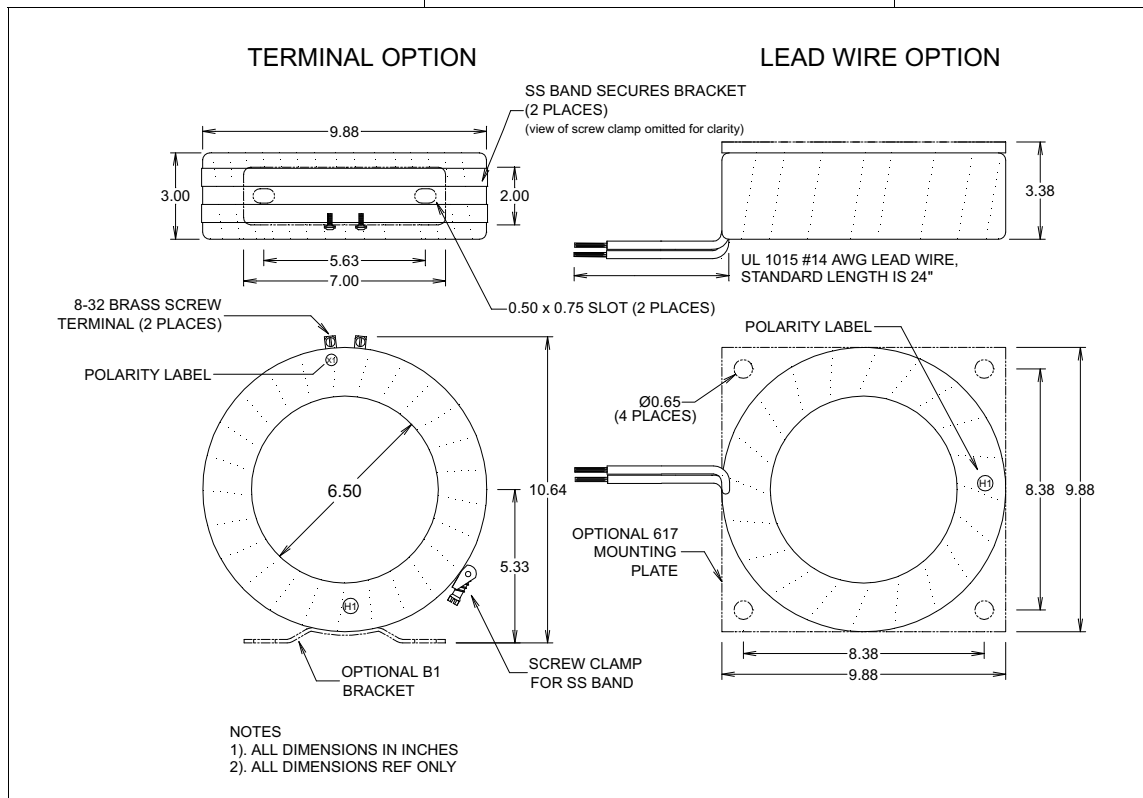


CURRENT TRANSFORMER  
**MODEL 617**

6.50" I.D.

PAGE No 1-46

REV 18DEC00



**Specifications**

Secondary sources 5 amps AC at rated F.S. primary current

Nominal operating frequency range is 50-400HZ

Thermal rating factor is 2.00 @ 30C for ratios up to 1500:5A, 1.50 @ 30C for ratios of 1500:5A up to 2000:5A, and 1.33 @ 30C for ratios above 2000:5A

Insulation voltage class is 0.6KV BIL 10KV

For indoor applications only

Reference documents IEEE C57.13, UL1244, CSA CAN3-C13-M83, and IEC 44-1

Enclosure is multi-layer tape buildup with heavy vinyl finish, color is black

Optional bracket is aluminum, optional plate is XX phenolic

**Options, contact Factory for information**

Medium voltage insulation classes (lead wires only, physical size increases)

1, 0.2, and 0.1 A output at F.S. primary amperage. Other non-standard ratings also available

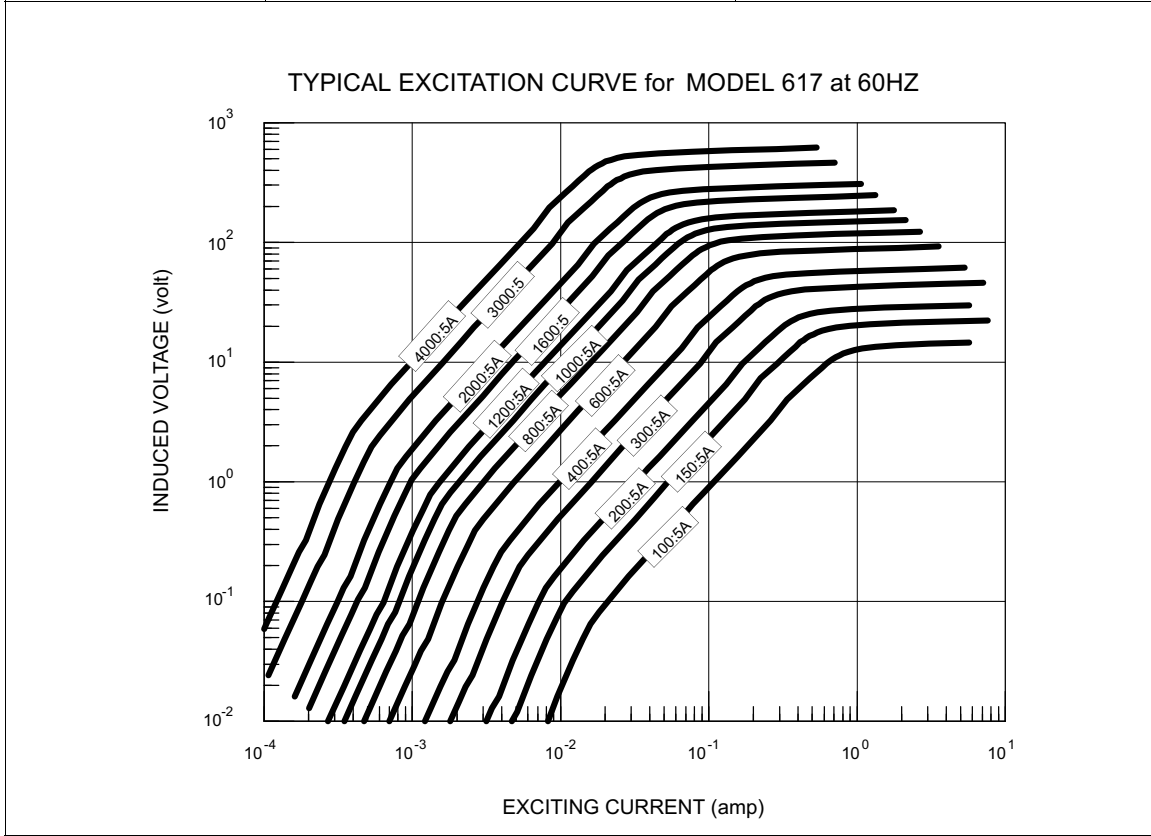
8-32 Screw Terminals or #14 AWG UL 1015 Lead Wires

Custom lead wire lengths and types

Thermal ratings above 2.00 for selected ratios

Center tap and custom multi tap winding arrangements

<b>6.50" I.D.</b>	<b>CURRENT TRANSFORMER MODEL 617</b>
PAGE No 1-47	
REV 18DEC00	



NUMBER *	RATIO	ANSI ACCURACY CLASS @ 60HZ					RELAY CLASS	NOMINAL WINDING RESISTANCE (ohm)
		B0.1	B0.2	B0.5	B0.9	B1.8		
617-100-00-xxx	100:5A	1.2	-	-	-	-	C10	0.03
617-150-00-xxx	150:5A	1.2	1.2	-	-	-	C10	0.05
617-200-00-xxx	200:5A	0.6	0.6	1.2	-	-	C20	0.07
617-300-00-xxx	300:5A	0.3	0.3	0.6	1.2	-	C20	0.10
617-400-00-xxx	400:5A	0.3	0.3	0.6	0.6	1.2	C50	0.13
617-600-00-xxx	600:5A	0.3	0.3	0.3	0.3	0.6	C50	0.20
617-800-00-xxx	800:5A	0.3	0.3	0.3	0.3	0.3	C100	0.27
617-1000-00-xxx	1000:5A	0.3	0.3	0.3	0.3	0.3	C100	0.33
617-1200-00-xxx	1200:5A	0.3	0.3	0.3	0.3	0.3	C100	0.39
617-1600-00-xxx	1600:5A	0.3	0.3	0.3	0.3	0.3	C200	0.65
617-2000-00-xxx	2000:5A	0.3	0.3	0.3	0.3	0.3	C200	1.3
617-3000-00-xxx	3000:5A	0.3	0.3	0.3	0.3	0.3	C200	2.0
617-4000-00-xxx	4000:5A	0.3	0.3	0.3	0.3	0.3	C400	2.6

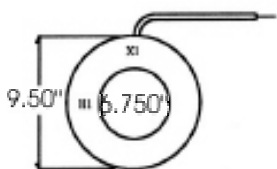
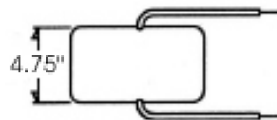
\* "xxx" describes termination: "T" FOR BRASS SCREW TERMINALS and "Lyyy" FOR LEAD WIRES (Where "yyy" is the lead length in inches. For example, "L24" represents 24 inch long lead wires.)

**Current Transformers**

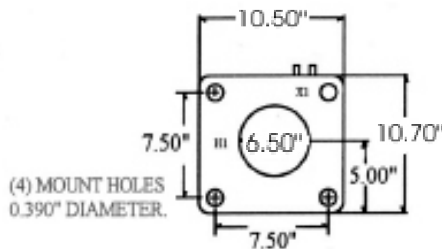
Window Diameter: 6.50"  
Continuous Thermal Rating: 2.0 at 30°C. amb.;  
1.5 at 55°C. amb. Average.

Standard 5 amp secondary, others available.

Application: Ammeters and Wattmeters and Relays.  
Insulation Class: 0.6 kV. BIL 10kV. full wave 50-400 Hz.  
Model SH is constructed of 35kV polyurethane resin  
encapsulated under vacuum.  
Fully encapsulated.



**65115RW**



**65115SH**

To order, please complete the model number with the appropriate suffix.  
eg.65115RW-1000

- ▶ Flexible leads are UL 3173 150°C.
- ▶ CSA approved, # 10 AWG 24" long. Nonstandard length to be specified.
- ▶ Terminals are brass No. 10-32 UNC.
- ▶ Optional mounting bracket 65115MBK.
- ▶ Approximate weight 43 lb.
- ▶ Additional ratios available.

Model nbr.	Catalogue nbr. Suffix	Current Ratio	VA for ±1% Class	ANSI Metering Class @ 60Hz				
				BO.1	BO.2	BO.5	BO.9	B1.8
<b>65115RW</b>	-600	600:5	C100	0.3	0.3	0.3	0.3	0.6
	-750	750:5	C200	0.3	0.3	0.3	0.3	0.3
	-800	800:5	C200	0.3	0.3	0.3	0.3	0.3
	-1000	1000:5	C200	0.3	0.3	0.3	0.3	0.3
	-1200	1200:5	C200	0.3	0.3	0.3	0.3	0.3
	-1500	1500:5	C400	0.3	0.3	0.3	0.3	0.3
	-1600	1600:5	C400	0.3	0.3	0.3	0.3	0.3
	-2000	2000:5	C400	0.3	0.3	0.3	0.3	0.3
	-2500	2500:5	C400	0.3	0.3	0.3	0.3	0.3
	-3000	3000:5	C400	0.3	0.3	0.3	0.3	0.3
	-3500	3500:5	C400	0.3	0.3	0.3	0.3	0.3
	-4000	4000:5	C400	0.3	0.3	0.3	0.3	0.3
	-5000	5000:5	C400	0.3	0.3	0.3	0.3	0.3

N.B. Ratios of 4000:5 and greater have a Rf. of 1.0 @ 30°C amb.

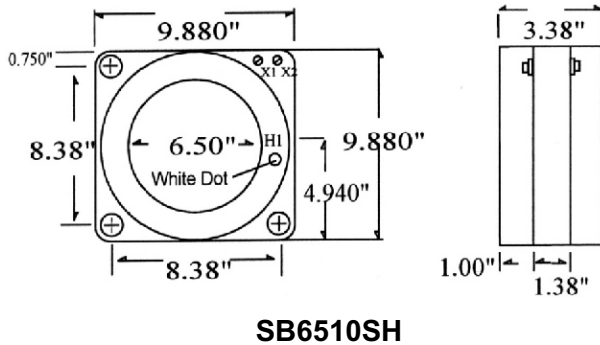
**Current Transformers**

Window Diameter: 6.50"  
Continuous Thermal Rating: 1.33 at 30°C. amb.;  
1.0 at 55°C. amb. Average.  
Fully encapsulated (indoor/outdoor applications).

Application: Ammeters and Wattmeters and Relays.  
Insulation Class: 0.6 kV. BIL 10kV. full wave 50-400 Hz.  
Standard 5 amp secondary, others available.



**Model nbr.**  
**SB6510SH**  
To order, please complete the model number with the appropriate suffix.  
eg.SB6510SH-1000



- ▶ Mechanical rating: 180 x rated current.
- ▶ Thermal rating: 80 x rated current.
- ▶ Terminals are brass No. 10-32 UNC.
- ▶ Additional ratios available.
- ▶ Approximate weight 31 lb.
- ▶ 3 mounting holes 0.560" diam.

**N.B.**  
Ratios of 50:5 - 1200:5 have a Rf. of 2.0 @ 30°C amb.  
1500:5 - 4000:5 have a Rf. of 1.33 @ 30°C amb.  
5000:5 - 6000:5 have a Rf. of 1.0 @ 30°C amb.  
8000:5 have a Rf. of 0.75 @ 30°C amb.

Catalogue nbr. Suffix	Current Ratio	VA for ±1% Class	ANSI Metering Class @ 60Hz				
			BO.1	BO.2	BO.5	BO.9	B1.8
-50	50:5	C10	4.8	-	-	-	-
-75	75:5	C10	4.8	4.8	-	-	-
-100	100:5	C10	1.2	1.2	4.8	-	-
-150	150:5	C20	0.6	0.6	2.4	2.4	4.8
-200	200:5	C20	0.6	0.6	1.2	2.4	4.8
-250	250:5	C20	0.6	0.6	0.6	1.2	2.4
-300	300:5	C20	0.3	0.6	0.6	1.2	2.4
-400	400:5	C50	0.3	0.3	0.3	0.6	1.2
-500	500:5	C50	0.3	0.3	0.3	0.6	0.6
-600	600:5	C100	0.3	0.3	0.3	0.3	0.6
-750	750:5	C100	0.3	0.3	0.3	0.3	0.3
-800	800:5	C100	0.3	0.3	0.3	0.3	0.3
-1000	1000:5	C100	0.3	0.3	0.3	0.3	0.3
-1200	1200:5	C200	0.3	0.3	0.3	0.3	0.3
-1500	1500:5	C200	0.3	0.3	0.3	0.3	0.3
-1600	1600:5	C200	0.3	0.3	0.3	0.3	0.3
-2000	2000:5	C200	0.3	0.3	0.3	0.3	0.3
-2500	2500:5	C200	0.3	0.3	0.3	0.3	0.3
-3000	3000:5	C200	0.3	0.3	0.3	0.3	0.3
-3500	3500:5	C100	0.3	0.3	0.3	0.3	0.3
-4000	4000:5	C100	0.3	0.3	0.3	0.3	0.3
-5000	5000:5	C200	0.3	0.3	0.3	0.3	0.3
-6000	6000:5	C200	0.3	0.3	0.3	0.3	0.3
-8000	8000:5	C200	0.3	0.3	0.3	0.3	0.3