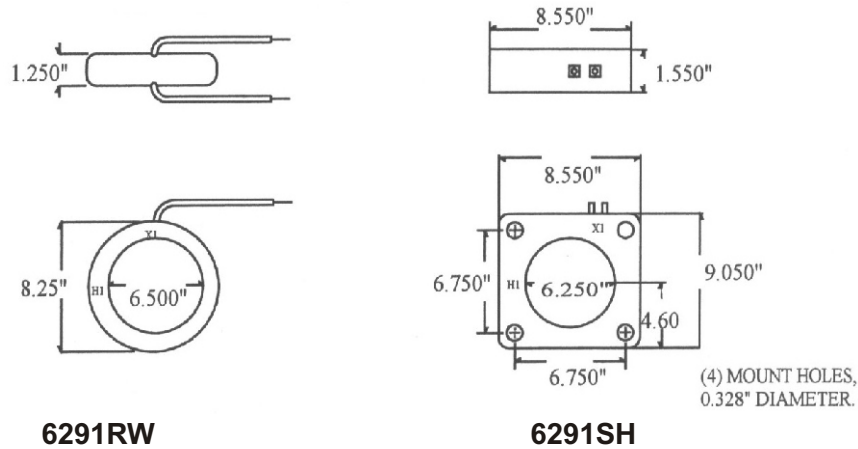


Current Transformers

Window Diameter: 6.25"
Continuous Thermal Rating: 1.33 at 30 C. amb.;
1.0 at 55 C. amb. Average.

Application: Ammeters and Wattmeters and Relays.
Insulation Class: 0.6 kV. BIL 10kV. full wave 50-400 Hz.
Fully encapsulated.

Standard 5 amp secondary, others available.



6291RW

6291SH

Model nbr.
6291RW
6291SH

Catalogue nbr. Suffix	Current Ratio	ANSI Metering Class @ 60Hz			
		BO.1	BO.2	BO.5	BO.9
-600	600:5	0.6	0.6	1.2	-
-750	750:5	0.6	0.6	0.6	1.2
-800	800:5	0.3	0.3	0.6	1.2
-1000	1000:5	0.3	0.3	0.3	1.2
-1200	1200:5	0.3	0.3	0.3	0.6
-1500	1500:5	0.3	0.3	0.3	0.3
-1600	1600:5	0.3	0.3	0.3	0.3
-2000	2000:5	0.3	0.3	0.3	0.3
-2500	2500:5	0.3	0.3	0.3	0.3
-3000	3000:5	0.3	0.3	0.3	0.3
-3500	3500:5	0.3	0.3	0.3	0.3
-4000	4000:5	0.3	0.3	0.3	0.3

To order, please complete the model number with the appropriate suffix.
eg. 6291RW-600

- ▶ Flexible leads are UL 3173 125 degree C.
- ▶ CSA approved, # 16 AWG 24" long. Nonstandard length to be specified.
- ▶ Terminals are brass No. 10-32 UNC.
- ▶ Optional mounting bracket 6291MBK.
- ▶ Approximate weight 4.5 lb.
- ▶ Additional ratios available.