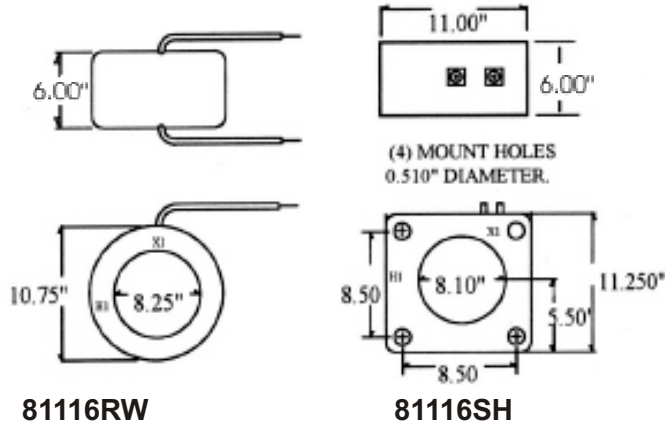


**Current Transformers**

Window Diameter: 8.10"  
Continuous Thermal Rating: 1.33 at 30°C. amb.;  
1.0 at 55°C. amb. Average.  
Standard 5 amp secondary, others available.

Application: Ammeters and Wattmeters and Relays.  
Insulation Class: 0.6 kV. BIL 10kV. full wave 50-400 Hz.  
Fully encapsulated.



To order, please complete the model number with the appropriate suffix.  
eg.81116RW-1000

- ▶ Flexible leads are UL 3174 150°C.
- ▶ CSA approved, # 12 AWG 24" long. Nonstandard length to be specified.
- ▶ Terminals are brass No. 10-32 UNC.
- ▶ Optional mounting bracket 81116MBK.
- ▶ Approximate weight 44 lb.
- ▶ Additional ratios available.

N.B. Ratios of 4000:5 and greater have a Rf. of 1.0 @ 30°C amb.

Model nbr.	Catalogue nbr. Suffix	Current Ratio	VA for ±1% Class	ANSI Metering Class @ 60Hz				
				BO.1	BO.2	BO.5	BO.9	B1.8
81116RW SH	-100	100:5	C20	1.2	1.2	-	-	-
	-200	200:5	C20	0.6	1.2	2.4	4.8	-
	-400	400:5	C100	0.3	0.3	0.3	0.6	2.4
	-500	500:5	C100	0.3	0.3	0.3	0.6	2.4
	-600	600:5	C100	0.3	0.3	0.6	0.6	1.2
	-800	800:5	C200	0.3	0.3	0.3	0.3	0.6
	-1000	1000:5	C200	0.3	0.3	0.3	0.3	0.6
	-1200	1200:5	C200	0.3	0.3	0.3	0.3	0.3
	-1500	1500:5	C400	0.3	0.3	0.3	0.3	0.3
	-1600	1600:5	C400	0.3	0.3	0.3	0.3	0.3
	-2000	2000:5	C400	0.3	0.3	0.3	0.3	0.3
	-2500	2500:5	C400	0.3	0.3	0.3	0.3	0.3
	-3000	3000:5	C400	0.3	0.3	0.3	0.3	0.3
	-3500	3500:5	C400	0.3	0.3	0.3	0.3	0.3
	-4000	4000:5	C400	0.3	0.3	0.3	0.3	0.3
	-5000	5000:5	C400	0.3	0.3	0.3	0.3	0.3
	-6000	6000:5	C400	0.3	0.3	0.3	0.3	0.3