

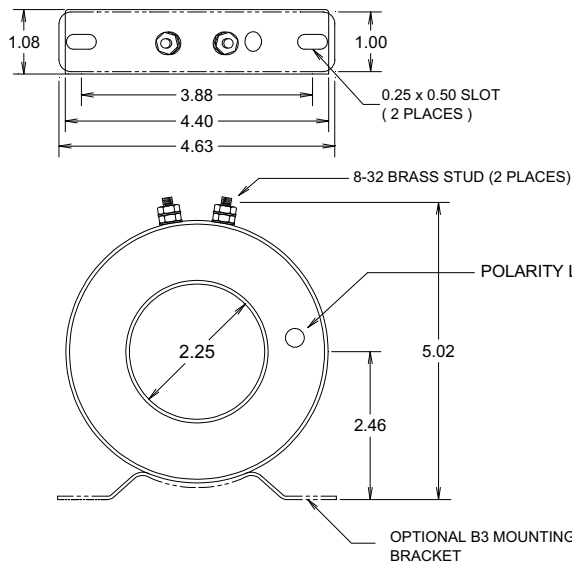
CURRENT TRANSFORMER
MODEL A

2.25" I.D.

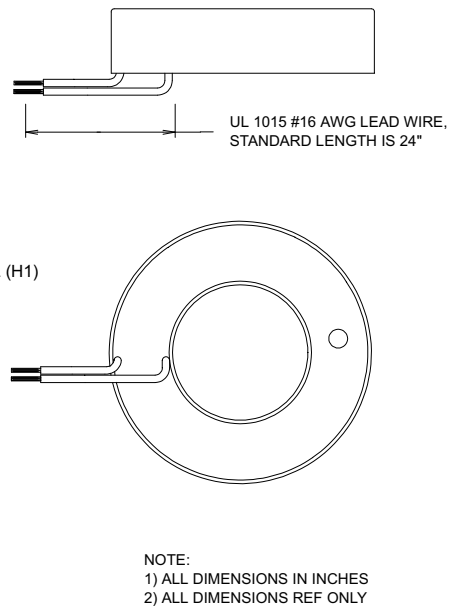
PAGE No 1-2

REV 14DEC00

TERMINAL OPTION



LEAD WIRE OPTION



Specifications

Secondary sources 5 amps AC at rated F.S. primary current
Nominal operating frequency range is 50-400HZ
Thermal rating factor is 1.33 @ 30C for ratios up to 1500:5A,
1.15 @ 30C for ratios above 1500:5A
Insulation voltage class is 0.6KV BIL 10KV

For indoor applications only
Reference documents IEEE C57.13, UL 1244, and IEC 44-1
Enclosure is glass-filled nylon, color is black
Optional bracket is aluminum

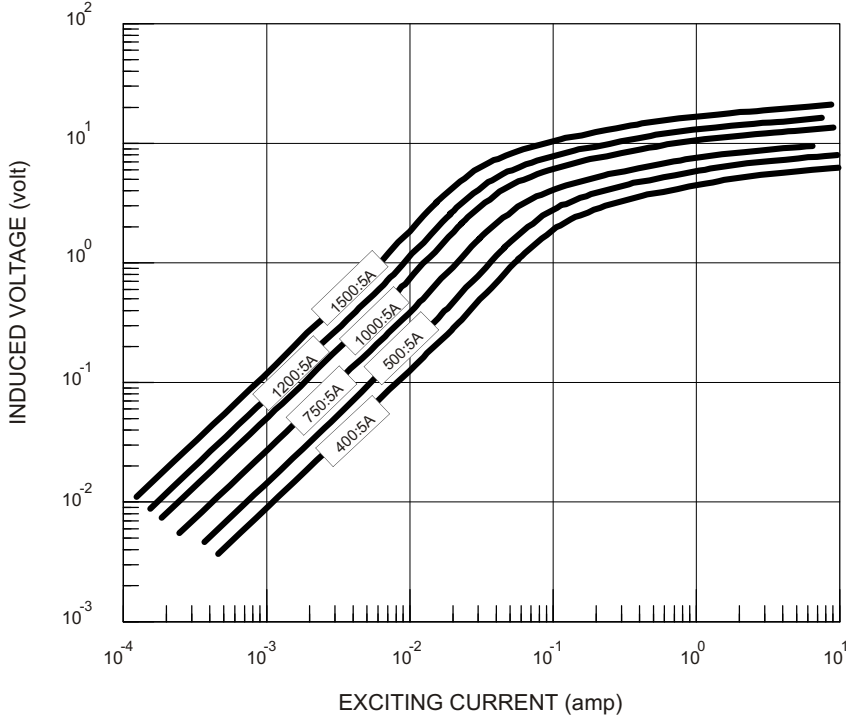
Options, contact Factory for information

UL and Canadian UL Recognized Component. File E100575
2.0, 5.0, and 10 VAC output at F.S. primary amperage. Other non-standard ratings also available.
1.0, 0.2, and 0.1 A output at F.S. primary amperage. Other non-standard ratings also available
8-32 Brass Stud Terminals or #16 AWG UL 1015 Lead Wires
Custom lead wire lengths and types

Thermal ratings above 1.33 for selected ratios.
Available with B1 and B31 brackets. See Bracket Data Section for dimensions.
Center tap and custom multi tap winding arrangements

2.25" I.D.	CURRENT TRANSFORMER MODEL A
PAGE No 1-3	
REV 14DEC00	

TYPICAL EXCITATION CURVE for WICC MODEL A at 60HZ



NUMBER *	RATIO	ACCURACY @ 60HZ, pf = 0.95		NOMINAL WINDING RESISTANCE (ohm)
		± %	BURDEN (VA)	
A-200-00-xxx	200:5A	1.0	2.0	0.02
A-250-00-xxx	250:5A	1.0	3.0	0.05
A-300-00-xxx	300:5A	1.0	4.5	0.06
A-400-00-xxx	400:5A	1.0	4.0	0.11
A-500-00-xxx	500:5A	1.0	6.5	0.13
A-600-00-xxx	600:5A	1.0	7.5	0.15
A-750-00-xxx	750:5A	1.0	12.5	0.18
A-800-00-xxx	800:5A	1.0	12.5	0.20
A-1000-00-xxx	1000:5A	1.0	17.5	0.25
A-1200-00-xxx	1200:5A	1.0	22	0.30
A-1500-00-xxx	1500:5A	1.0	30	0.39

* "xxx" describes termination: "T" FOR BRASS STUDS, "Lyyy" FOR LEAD WIRES (Where "yyy" is the lead length in inches. For example, "L24" represents 24 inch long lead wires.)