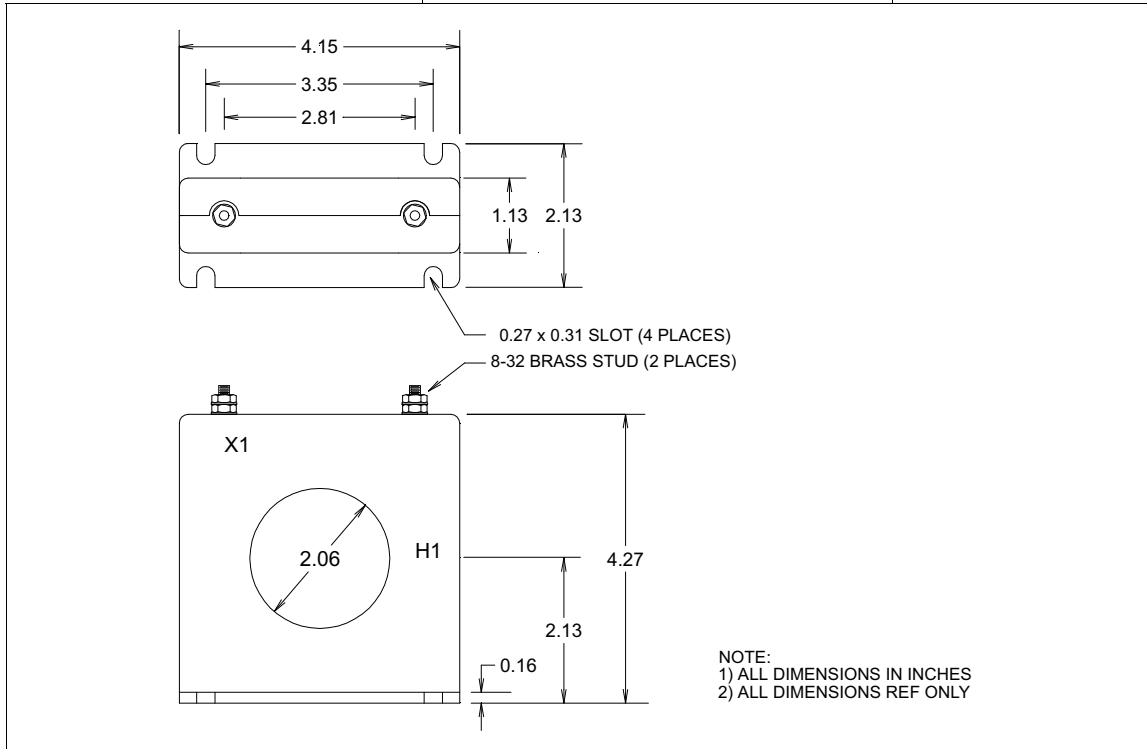


CURRENT TRANSFORMER  
**MODEL 2743**

2.06" I.D.

PAGE No 1-74

REV 18DEC00



**Specifications**

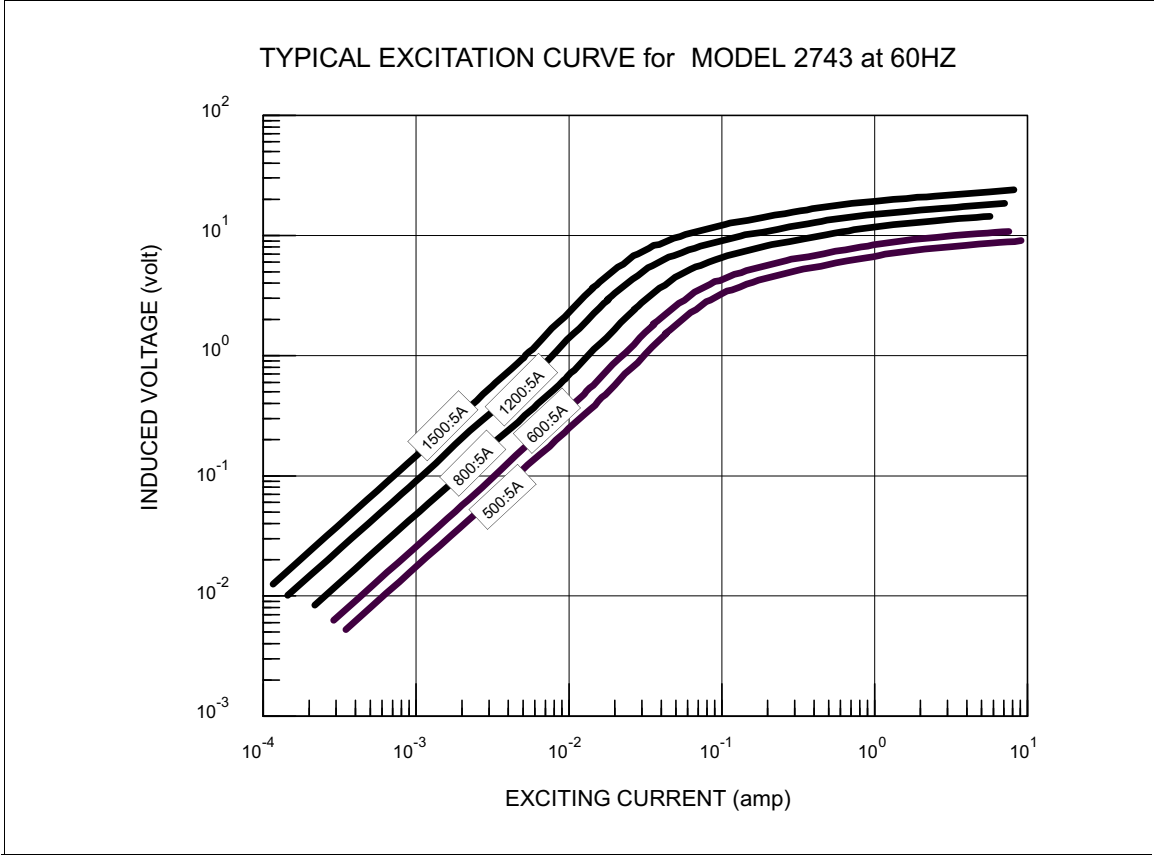
Secondary sources 5 amps AC at rated F.S. primary current  
 Nominal operating frequency range is 50-400HZ  
 Thermal rating factor is 1.33 @ 30C for ratios thru 1000:5A, 1.15 @ 30C for ratios above 1000:5A  
 Insulation voltage class is 0.6KV BIL 10KV

For indoor applications only  
 Reference documents IEEE C57.13, UL1244, CSA CAN3-C13-M83, and IEC 44-1  
 Enclosure is made of glass-filled Nylon, color is black

**Options, contact Factory for information**

UL and Canadian UL Recognized Component. File E100575.  
 2.0, 5.0, and 10 VAC output at F.S. primary amperage. Other non-standard ratings also available.  
 1, 0.2, and 0.1 A output at F.S. primary amperage. Other non-standard ratings also available.  
 Thermal ratings above 1.33 for selected ratios

<b>2.06" I.D.</b>	<b>CURRENT TRANSFORMER MODEL 2743</b>
PAGE No 1-75	
REV 18DEC00	



NUMBER *	RATIO	ACCURACY @ 60HZ		NOMINAL WINDING RESISTANCE (ohm)
		± %	BURDEN (VA)	
2743-400-00-xxx	400:5A	1.0	5.0	0.10
2743-500-00-xxx	500:5A	1.0	8.0	0.13
2743-600-00-xxx	600:5A	1.0	12	0.15
2743-800-00-xxx	800:5A	1.0	20	0.21
2743-1200-00-xxx	1200:5A	1.0	25	0.36
2743-1500-00-xxx	1500:5A	1.0	35	0.48

\* "xxx" describes termination: "T" FOR BRASS STUDS, "Lyyy" FOR LEAD WIRES (Where "yyy" is the lead length in inches. For example, "L24" represents 24 inch long lead wires.)