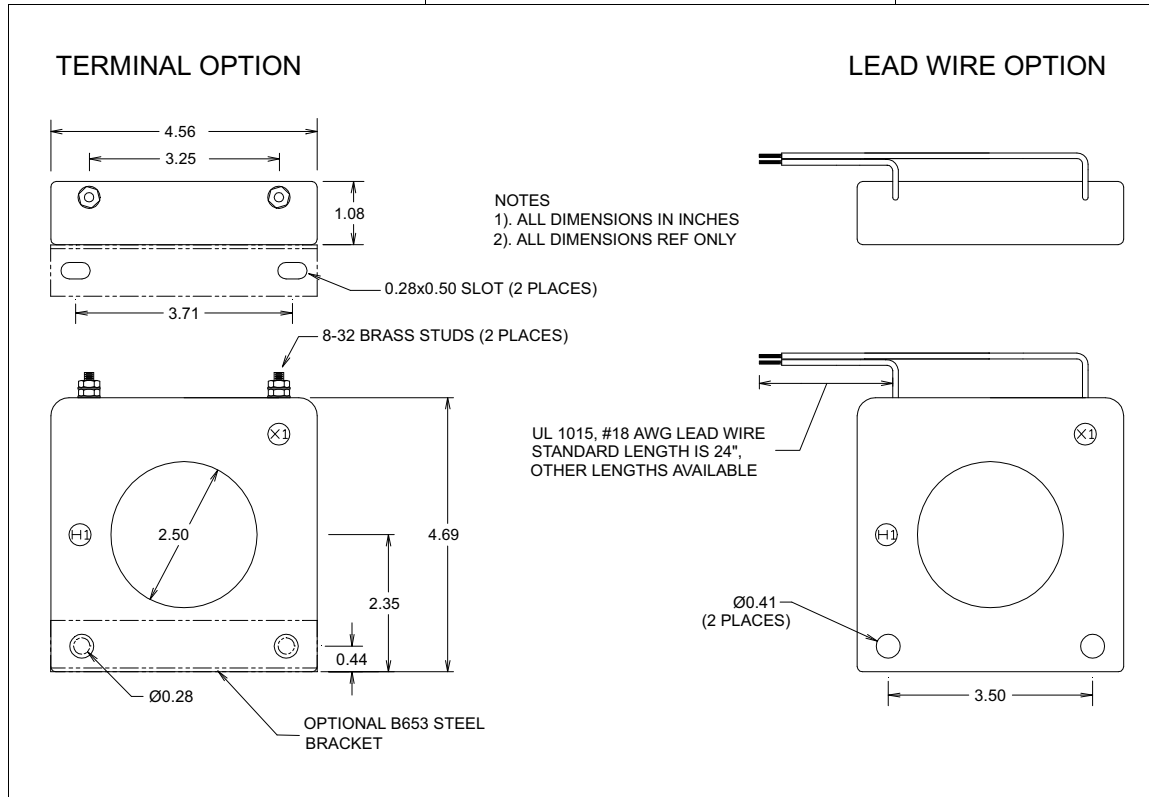


CURRENT TRANSFORMER
MODEL 652

2.50" I.D.

PAGE No 1-52

REV 18DEC00



Specifications

Secondary sources 1 amps AC at rated F.S. primary current

Nominal operating frequency range is 50-400HZ

Thermal rating factor is 1.33 @ 30C for all ratios

Insulation voltage class is 0.6KV BIL 10KV

For indoor applications only

Reference documents IEEE C57.13, UL1244, CSA CAN3-C13-M83, and IEC 44-1

Enclosure is made of glass-filled Nylon, color is black

Options, contact Factory for information

UL and Canadian UL Recognized Component. File E100575.

2.0, 5.0, and 10 VAC output at F.S. primary amperage. Other non-standard ratings also available.

5, 0.2, and 0.1 A output at F.S. primary amperage. Other non-standard ratings also available.

8-32 Brass Studs or #18 AWG UL 1015 Lead Wires.

Custom lead wire lengths and types.

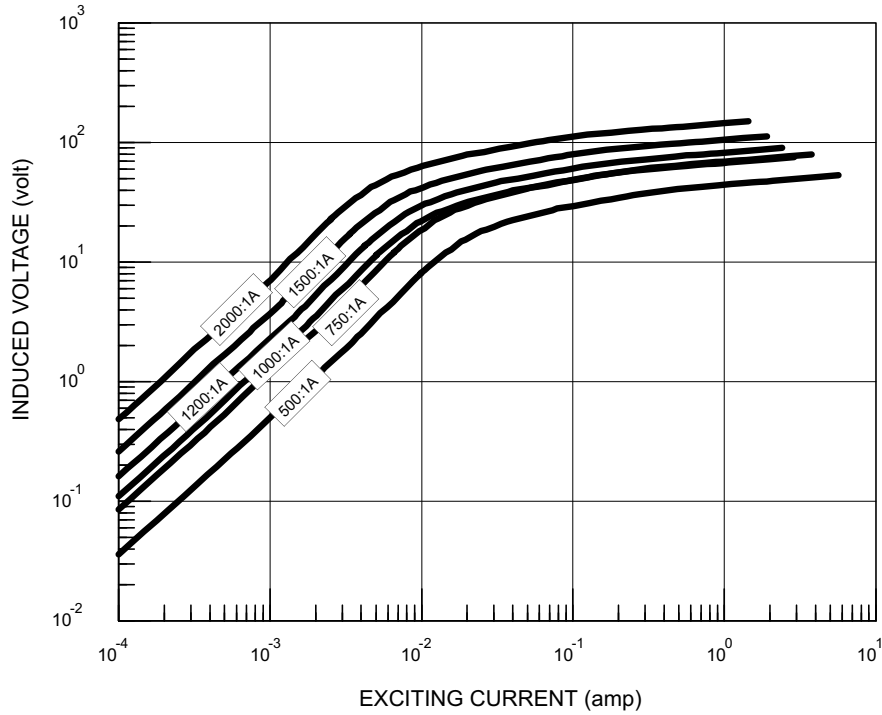
Thermal ratings above 1.33 for selected ratios

Housing with or without mounting flange (See Model 652F for flange design).

Center tap and custom multi tap winding arrangements

2.50" I.D.	CURRENT TRANSFORMER
PAGE No 1-53	MODEL 652
REV 18DEC00	

TYPICAL EXCITATION CURVE for MODEL 652 at 60HZ



NUMBER *	RATIO	ACCURACY @ 60HZ		NOMINAL WINDING RESISTANCE (ohm)
		± %	BURDEN (VA)	
652-500-01-xxx	500:1A	1.0	7.5	2.4
652-750-01-xxx	750:1A	1.0	15	3.6
652-1000-01-xxx	1000:1A	1.0	15	5.4
652-1200-01-xxx	1200:1A	1.0	20	6.6
652-1500-01-xxx	1500:1A	1.0	25	8.4
652-2000-01-xxx	2000:1A	1.0	30	12

* "xxx" describes termination: "T" FOR BRASS STUDS, "Lyyy" FOR LEAD WIRES (Where "yyy" is the lead length in inches. For example, "L24" represents 24 inch long lead wires.)