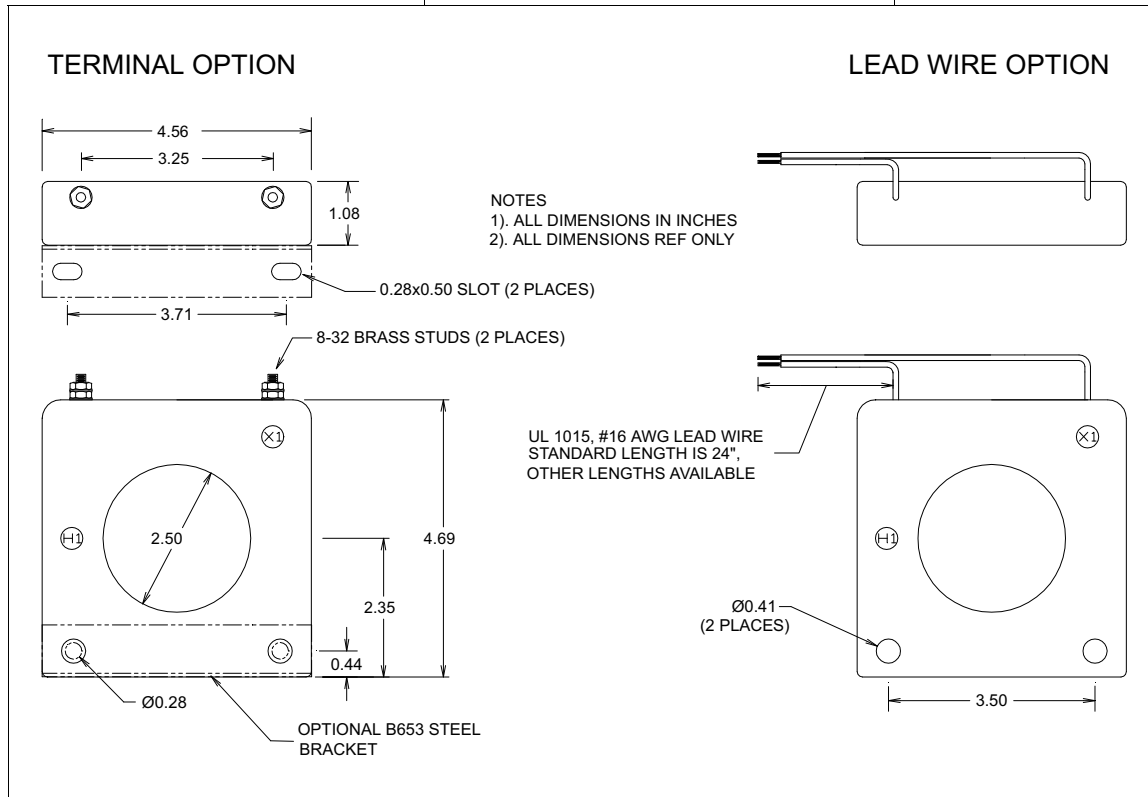


CURRENT TRANSFORMER
MODEL 653

2.50" I.D.

PAGE No 1-56

REV 18DEC00



Specifications

Secondary sources 5 amps AC at rated F.S. primary current
 Nominal operating frequency range is 50-400HZ
 Thermal rating factor is 1.33 @ 30C for ratios up to 1250:5A, 1.15 @ 30C for ratios above 1250:5A
 Insulation voltage class is 0.6KV BIL 10KV

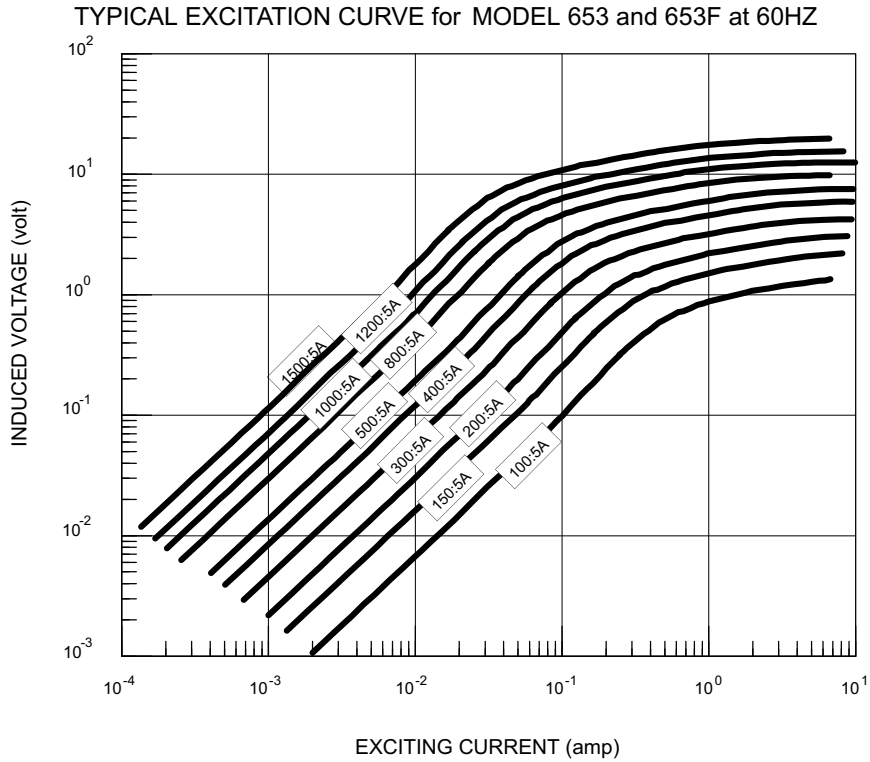
For indoor applications only
 Reference documents IEEE C57.13, UL1244, CSA CAN3-C13-M83, and IEC 44-1
 Enclosure is made of glass-filled Nylon, color is black

Options, contact Factory for information

UL and Canadian UL Recognized Component. File E100575.
 2.0, 5.0, and 10 VAC output at F.S. primary amperage. Other non-standard ratings also available.
 1, 0.2, and 0.1 A output at F.S. primary amperage. Other non-standard ratings also available.
 8-32 Brass Studs or #16 AWG UL 1015 Lead Wires.
 Custom lead wire lengths and types.
 Thermal ratings above 1.33 for selected ratios

Housing with or without mounting flange (See Model 653F for flange design).
 Center tap and custom multi tap winding arrangements

2.50" I.D.	CURRENT TRANSFORMER MODEL 653
PAGE No 1-57	
REV 18DEC00	



NUMBER *	RATIO	ACCURACY @ 60HZ		NOMINAL WINDING RESISTANCE (ohm)
		± %	BURDEN (VA)	
653-100-00-xxx	100:5A	3.0	2.0	0.02
653-150-00-xxx	150:5A	1.5	2.0	0.03
653-200-00-xxx	200:5A	1.0	2.0	0.04
653-250-00-xxx	250:5A	1.0	2.0	0.04
653-300-00-xxx	300:5A	1.0	2.0	0.05
653-400-00-xxx	400:5A	1.0	4.0	0.10
653-500-00-xxx	500:5A	1.0	6.5	0.12
653-600-00-xxx	600:5A	1.0	10	0.14
653-800-00-xxx	800:5A	1.0	15	0.19
653-1000-00-xxx	1000:5A	1.0	15	0.22
653-1200-00-xxx	1200:5A	1.0	20	0.27
653-1500-00-xxx	1500:5A	1.0	20	0.42
653-1600-00-xxx	1600:5A	1.0	25	0.45

* "xxx" describes termination: "T" FOR BRASS STUDS, "Lyyy" FOR LEAD WIRES (Where "yyy" is the lead length in inches. For example, "L24" represents 24 inch long lead wires.)