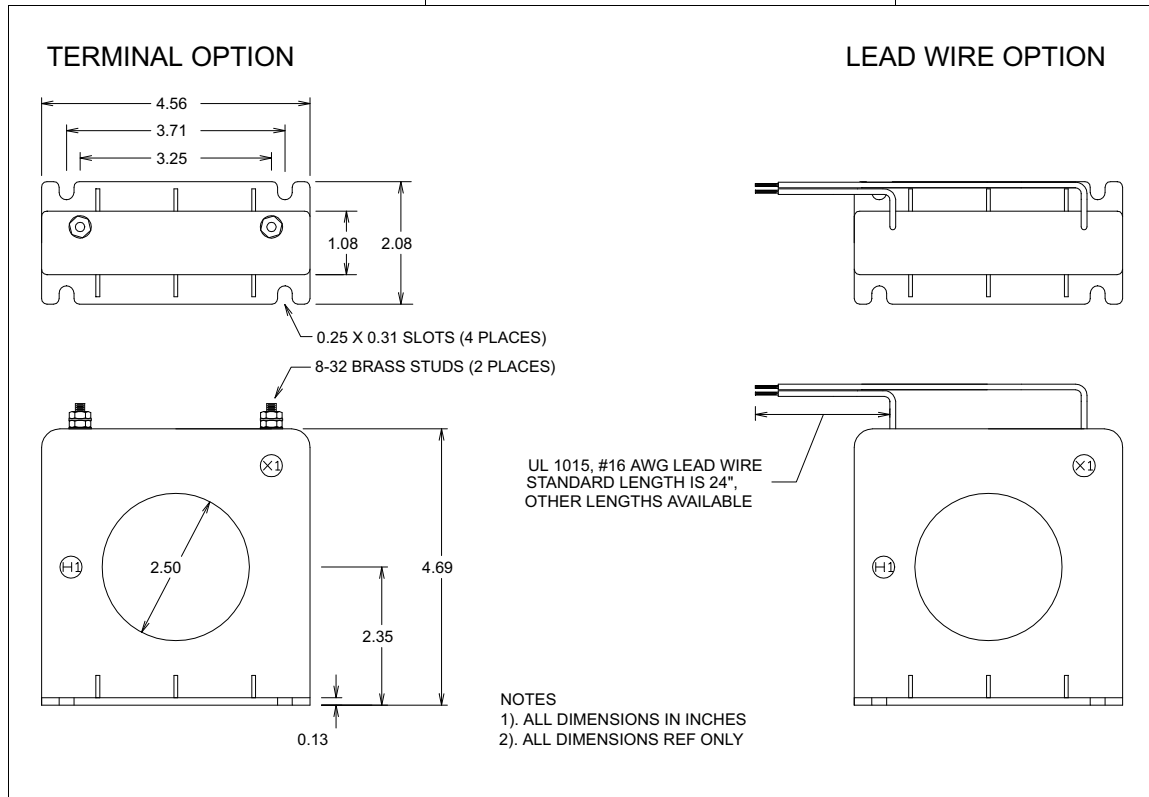


CURRENT TRANSFORMER
MODEL 653F

2.50" I.D.

PAGE No 1-58

REV 18DEC00



Specifications

Secondary sources 5 amps AC at rated F.S. primary current

Nominal operating frequency range is 50-400HZ

Thermal rating factor is 1.33 @ 30C for ratios up to 1250:5A, 1.15 @ 30C for ratios above 1250:5A

Insulation voltage class is 0.6KV BIL 10KV

For indoor applications only

Reference documents IEEE C57.13, UL1244, CSA CAN3-C13-M83, and IEC 44-1

Enclosure is made of glass-filled Nylon, color is black

Options, contact Factory for information

UL and Canadian UL Recognized Component. File E100575.

2.0, 5.0, and 10 VAC output at F.S. primary amperage. Other non-standard ratings also available.

1, 0.2, and 0.1 A output at F.S. primary amperage. Other non-standard ratings also available

8-32 Brass Studs or #16 AWG UL 1015 Lead Wires.

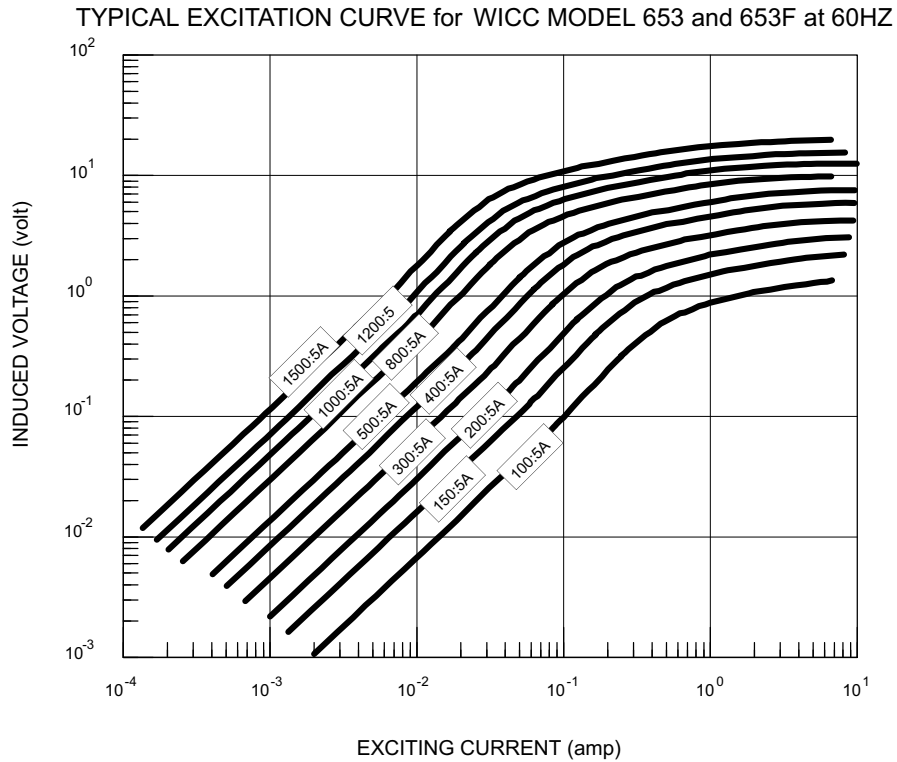
Custom lead wire lengths and types.

Thermal ratings above 1.33 for selected ratios.

Housing with or without mounting flange (See Model 653 for no-flange design).

Center tap and custom multi tap winding arrangements

2.50" I.D.	CURRENT TRANSFORMER
PAGE No 1-59	MODEL 653F
REV 18DEC00	



W.I.C.C. PART NUMBER *	RATIO	ACCURACY @ 60HZ		NOMINAL WINDING RESISTANCE (ohm)
		± %	BURDEN (VA)	
653F-100-00-xxx	100:5A	3.0	2.0	0.02
653F-150-00-xxx	150:5A	1.5	2.0	0.03
653F-200-00-xxx	200:5A	1.0	2.0	0.04
653F-250-00-xxx	250:5A	1.0	2.0	0.04
653F-300-00-xxx	300:5A	1.0	2.0	0.05
653F-400-00-xxx	400:5A	1.0	4.0	0.10
653F-500-00-xxx	500:5A	1.0	6.5	0.12
653F-600-00-xxx	600:5A	1.0	10	0.14
653F-750-00-xxx	750:5A	1.0	15	0.19
653F-1000-00-xxx	1000:5A	1.0	15	0.22
653F-1200-00-xxx	1200:5A	1.0	20	0.27
653F-1500-00-xxx	1500:5A	1.0	20	0.42
653F-1600-00-xxx	1600:5A	1.0	25	0.45

* "xxx" describes termination: "T" FOR BRASS STUDS, "Lyyy" FOR LEAD WIRES (Where "yyy" is the lead length in inches. For example, "L24" represents 24 inch long lead wires.)