

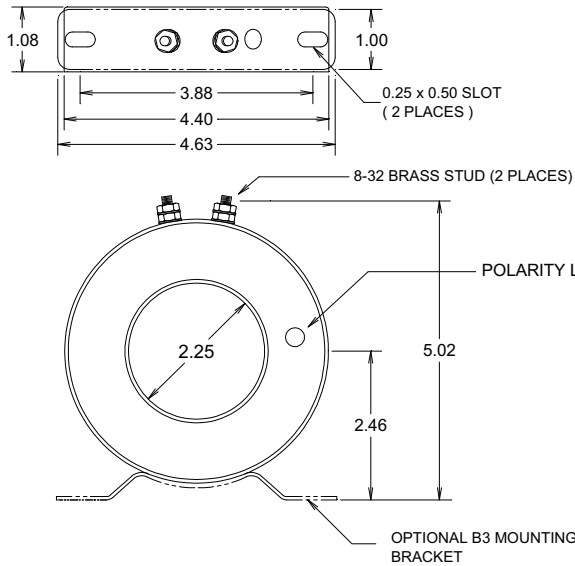
CURRENT TRANSFORMER
MODEL AX

2.25" I.D.

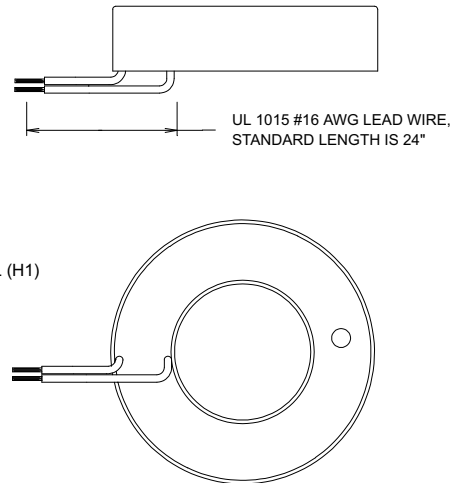
PAGE No 1-6

REV 14DEC00

TERMINAL OPTION



LEAD WIRE OPTION



NOTE:
 1) ALL DIMENSIONS IN INCHES
 2) ALL DIMENSIONS REF ONLY

Specifications

Secondary sources 5 amps AC at rated F.S. primary current
 Nominal operating frequency range is 50-400HZ
 Thermal rating factor is 1.33 @ 30C for all ratios
 Insulation voltage class is 0.6KV BIL 10KV
 For indoor applications only

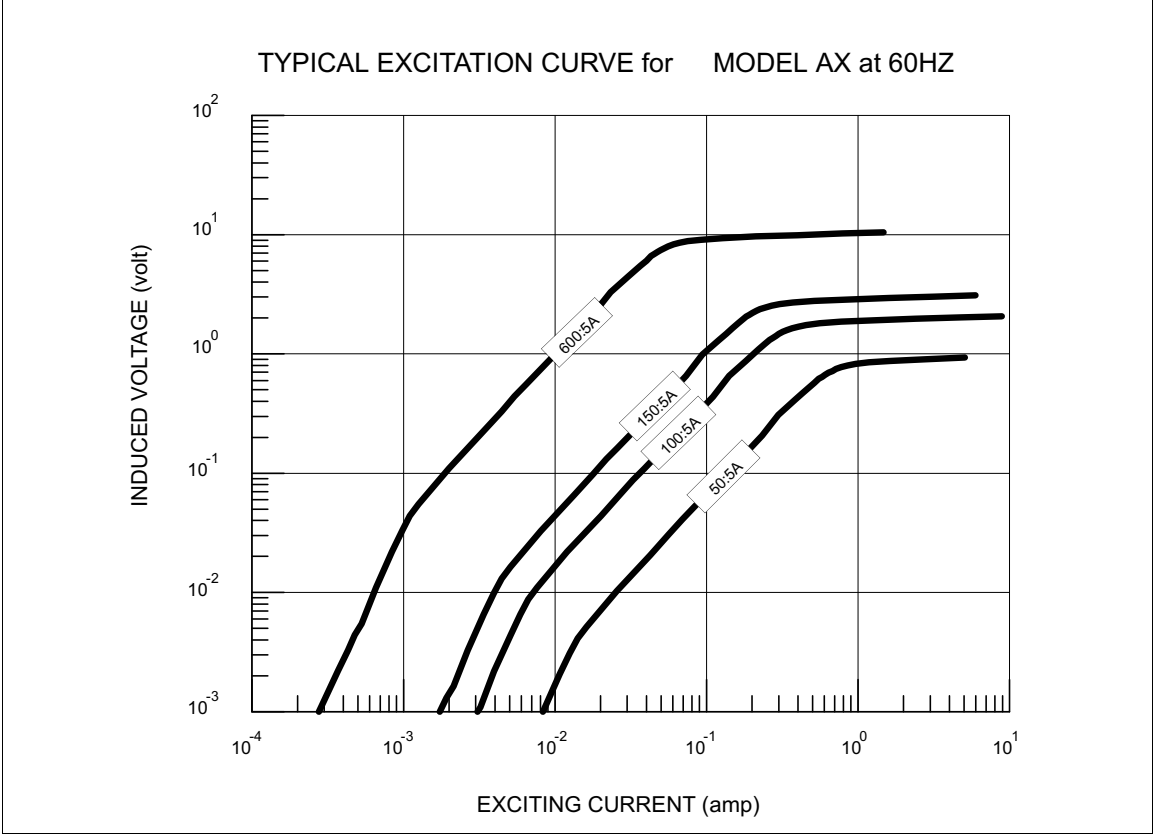
Reference documents IEEE C57.13, UL 1244, and IEC 44-1
 Enclosure is glass-filled nylon, color is black
 Optional bracket is aluminum

Options, contact Factory for information

UL and Canadian UL Recognized Component. File E100575
 2.0, 5.0, and 10 VAC output at F.S. primary amperage. Other non-standard ratings also available.
 1.0, 0.2, and 0.1 A output at F.S. primary amperage. Other non-standard ratings also available
 8-32 Brass Stud Terminals or #18 AWG UL 1015 Lead Wires
 Custom lead wire lengths and types

Thermal ratings above 1.33 for selected ratios.
 Available with B1 and B31 brackets. See Bracket Data Section for dimensions.
 Center tap and custom multi tap winding arrangements

2.25" I.D.	CURRENT TRANSFORMER MODEL AX
PAGE No 1-7	
REV 14DEC00	



NUMBER *	RATIO	ACCURACY @ 60HZ, pf = 0.95		NOMINAL WINDING RESISTANCE (ohm)
		± %	BURDEN (VA)	
AX-050-00-xxx	50:5A	5.0	1.0	0.01
AX-100-00-xxx	100:5A	2.0	2.0	0.02
AX-150-00-xxx	150:5A	1.5	2.0	0.04
AX-600-00-xxx	600:5A	1.0	30	0.14

* "xxx" describes termination: "T" FOR BRASS STUDS, "Lyyy" FOR LEAD WIRES (Where "yyy" is the lead length in inches. For example, "L24" represents 24 inch long lead wires.)