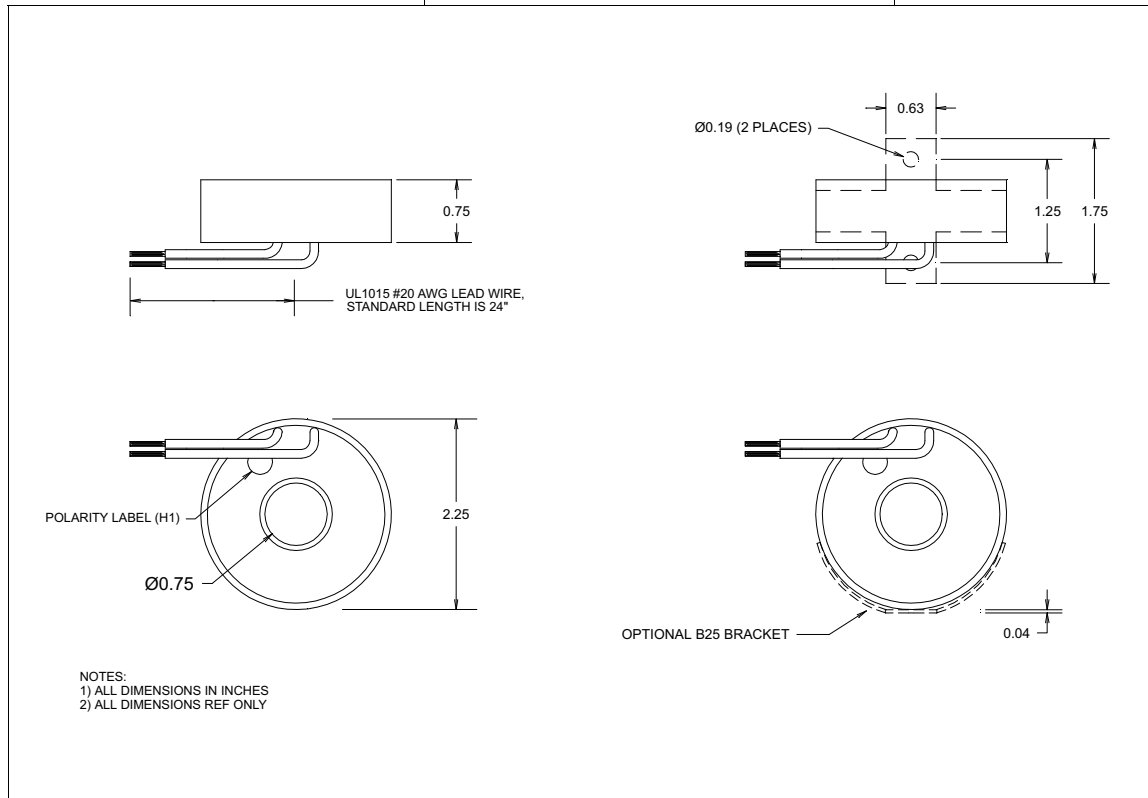


CURRENT TRANSFORMER
MODEL L595

0.75" I.D.

PAGE No 1-24

REV 15DEC00



Specifications

Secondary sources 0.1 amps AC at rated F.S. primary current
 Nominal operating frequency range is 50-400HZ
 Thermal rating factor is 1.33 @ 30C for all ratios
 Insulation voltage class is 0.6KV BIL 10KV
 For indoor applications only

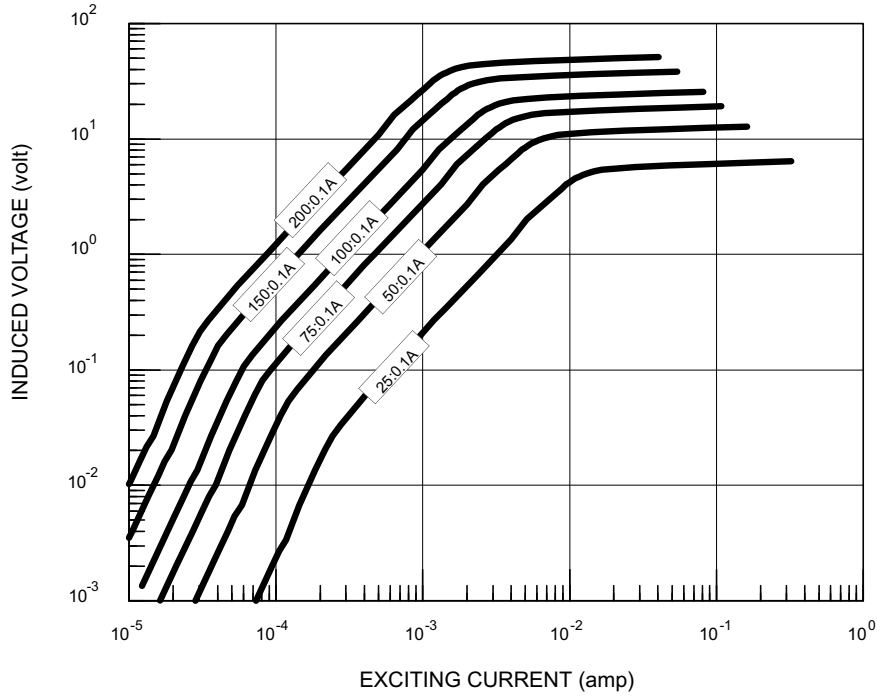
Reference documents IEEE C57.13, UL1244, and IEC 44-1
 Enclosure is glass-filled nylon, color is black
 Optional bracket is steel

Options, contact Factory for information

UL and Canadian UL Recognized Component. File E100575
 2.0, 5.0, and 10 VAC output at F.S. primary amperage. Other non-standard ratings also available.
 1 and 0.2 A output at F.S. primary amperage. Other non-standard ratings also available
 Custom lead wire lengths and types
 Thermal ratings above 1.33 for selected ratios.

0.75" I.D.	CURRENT TRANSFORMER MODEL L595
PAGE No 1-25	
REV 15DEC00	

TYPICAL EXCITATION CURVE for MODEL L595 at 60HZ



NUMBER *	RATIO	ACCURACY @ 60HZ, pf = 0.95		NOMINAL WINDING RESISTANCE (ohm)
		± %	BURDEN (ohm)	
L595-025-02-Lxxx	25:0.1A	2.0	5	2.0
L595-050-02-Lxxx	50:0.1A	1.0	10	6.2
L595-075-02-Lxxx	75:0.1A	1.0	25	9.6
L595-100-02-Lxxx	100:0.1A	1.0	50	20
L595-150-02-Lxxx	150:0.1A	1.0	125	32
L595-200-02-Lxxx	200:0.1A	1.0	225	45

* "Lxxx" describes LEAD WIRE termination where "xxx" is the lead length in inches. For example, "L24" represents 24 inch long lead wires.