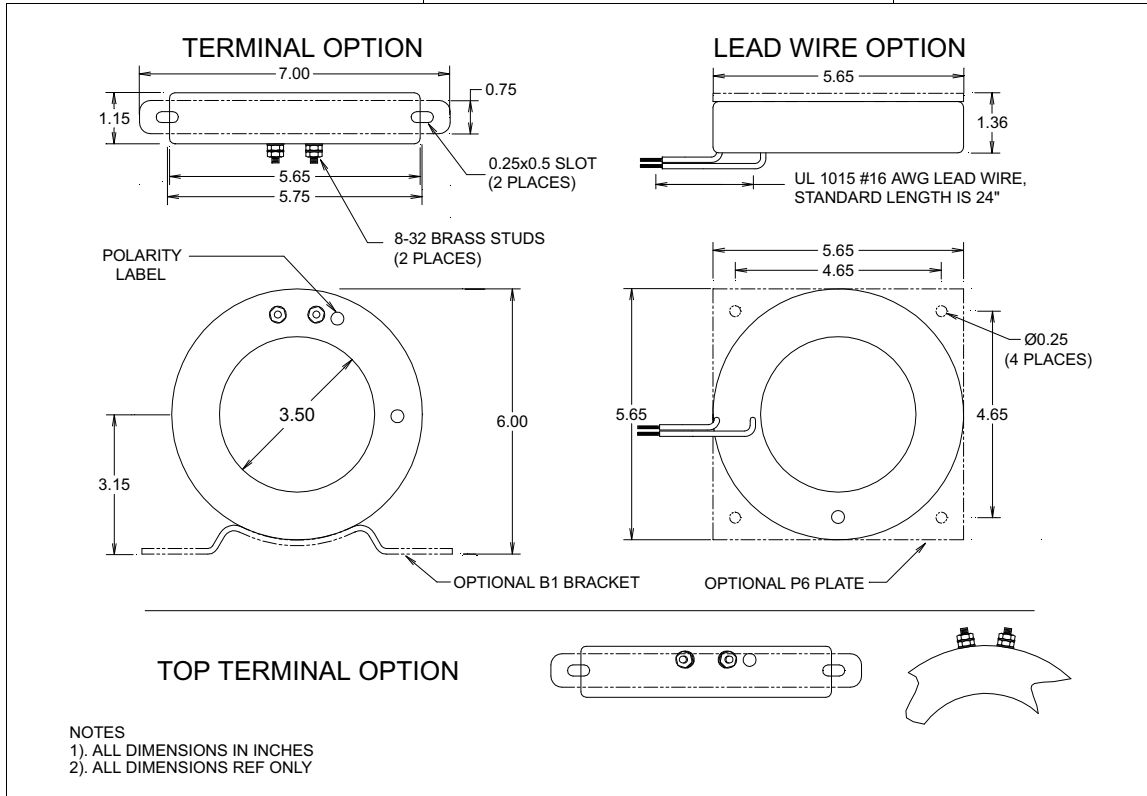


CURRENT TRANSFORMER
MODEL MWX

3.50" I.D.

PAGE No 1-28

REV 15DEC00



Specifications

Secondary sources 5 amps AC at rated F.S. primary current
 Nominal operating frequency range is 50-400HZ
 Thermal rating factor is 1.33 @ 30C for all ratios
 Insulation voltage class is 0.6KV BIL 10KV
 For indoor applications only

Reference documents IEEE C57.13, UL1244, and IEC 44-1
 Enclosure is made of glass-filled Nylon, color is black
 Optional bracket is aluminum, optional plate is XX phenolic

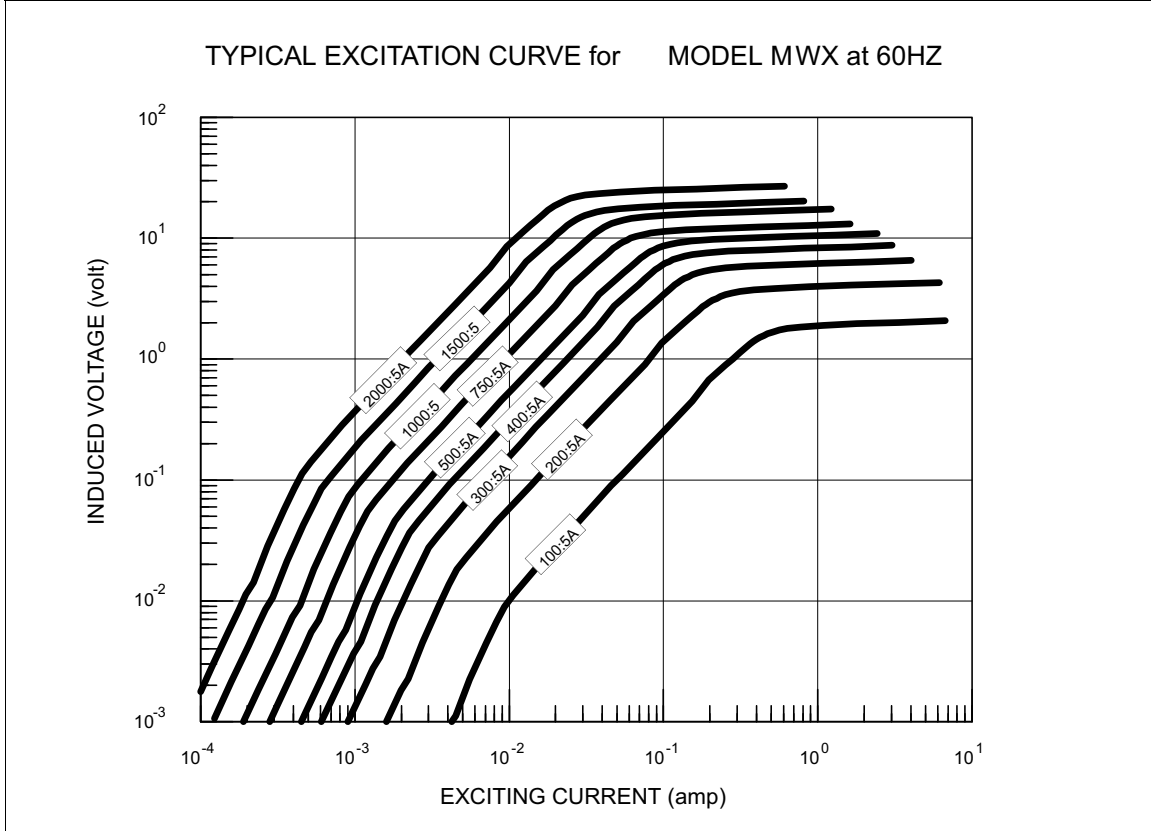
Options, contact Factory for information

UL and Canadian UL Recognized Component. File E100575
 8-32 Brass Stud Terminals or #16 AWG UL 1015 Lead Wires.
 Choice of stud location.
 Custom lead wire lengths and types
 Thermal ratings above 1.33 for selected ratios.

Available with B3 and B31 brackets. See Bracket Data Section for dimensions.

Center tap and custom multi tap winding arrangements

3.50" I.D.	CURRENT TRANSFORMER MODEL MWX
PAGE No 1-29	
REV 15DEC00	



NUMBER *	RATIO	ANSI ACCURACY CLASS @ 60HZ					RELAY CLASS	NOMINAL WINDING RESISTANCE (ohm)
		B0.1	B0.2	B0.5	B0.9	B1.8		
MWX-100-00-xxx	100:5A	4.8	-	-	-	-	-	0.02
MWX-200-00-xxx	200:5A	1.2	-	-	-	-	-	0.04
MWX-300-00-xxx	300:5A	0.6	1.2	-	-	-	-	0.06
MWX-400-00-xxx	400:5A	0.6	0.6	1.2	-	-	-	0.08
MWX-500-00-xxx	500:5A	0.3	0.6	1.2	1.2	-	-	0.10
MWX-600-00-xxx	600:5A	0.3	0.3	0.6	1.2	-	-	0.12
MWX-750-00-xxx	750:5A	0.3	0.3	0.6	0.6	1.2	-	0.14
MWX-1000-00-xxx	1000:5A	0.3	0.3	0.3	0.6	0.6	C10	0.19
MWX-1200-00-xxx	1200:5A	0.3	0.3	0.3	0.6	0.6	C10	0.25
MWX-1500-00-xxx	1500:5A	0.3	0.3	0.3	0.3	0.6	C10	0.32
MWX-2000-00-xxx	2000:5A	0.3	0.3	0.3	0.3	0.3	C20	0.44

* "xxx" describes termination: "T" FOR BRASS STUDS, "TT" FOR BRASS STUDS in top terminal configuration, and "Lyyy" FOR LEAD WIRES (Where "yyy" is the lead length in inches. For example, "L24" represents 24 inch long lead wires.)