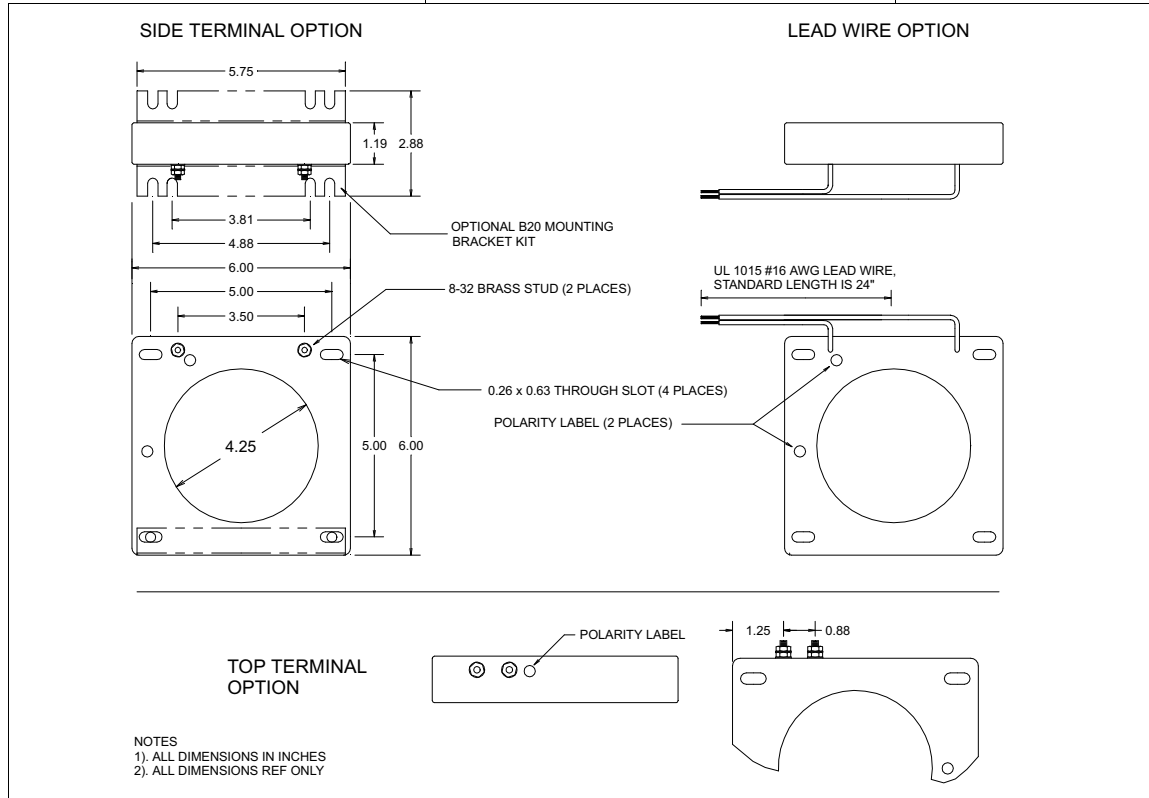


CURRENT TRANSFORMER  
**MODEL NDX**

**4.25" I.D.**

PAGE No 1-34

REV 15DEC00



**Specifications**

Secondary sources 5 amps AC at rated F.S. primary current  
 Nominal operating frequency range is 50-400HZ  
 Thermal rating factor is 1.33 @ 30C for ratios up to 4250:5A,  
 1.15 @ 30C for ratios of 4250:5A and above  
 Insulation voltage class is 0.6KV BIL 10KV

For indoor applications only  
 Reference documents IEEE C57.13, UL1244, and IEC 44-1  
 Enclosure is made of glass-filled Nylon, color is black  
 Optional bracket is steel

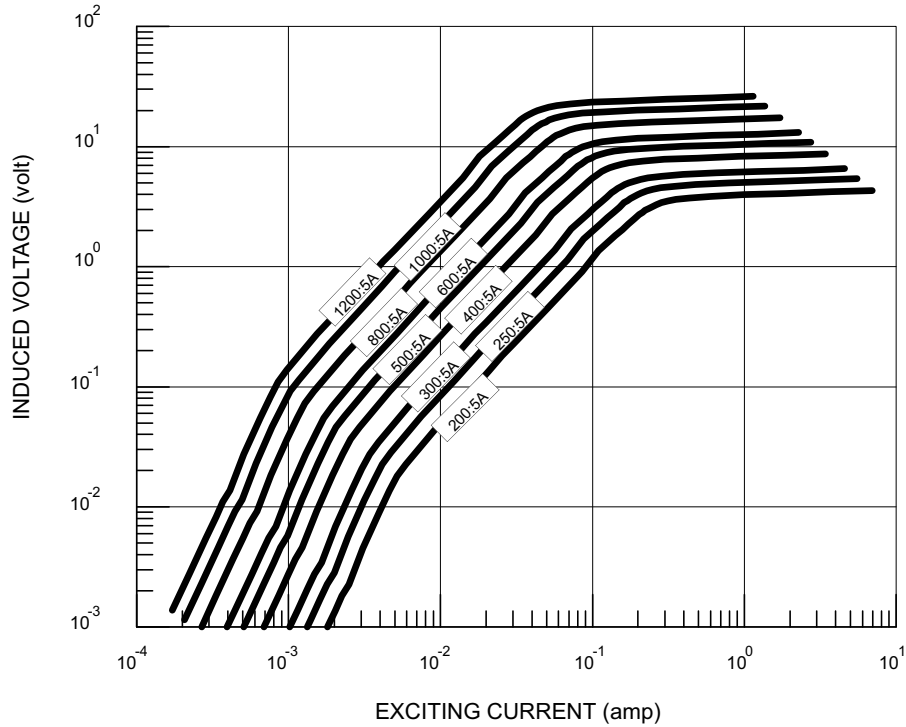
**Options, contact Factory for information**

UL and Canadian UL Recognized Component. File E100575  
 2.0, 5.0, and 10 VAC output at F.S. primary current. Other non-standard ratings also available  
 1, 0.2, and 0.1 A output at F.S. primary current. Other non-standard ratings also available  
 8-32 Brass Stud Terminals or #16 AWG UL 1015 Lead Wires.  
 Choice of stud location

Custom lead wire lengths and types  
 Thermal ratings above 1.33 for selected ratios  
 Available with B20 bracket kit. See Bracket Data Section for dimensions  
 Center tap and custom multi tap winding arrangements

<b>4.25" I.D.</b>	<b>CURRENT TRANSFORMER MODEL NDX</b>
PAGE No 1-35	
REV 15DEC00	

TYPICAL EXCITATION CURVE for MODEL NDX at 60HZ



NUMBER *	RATIO	ACCURACY @ 60HZ		NOMINAL WINDING RESISTANCE (ohm)
		± %	BURDEN (VA)	
NDX-300-00-xxx	300:5A	1.0	6.0	0.05
NDX-500-00-xxx	500:5A	1.0	20	0.08
NDX-600-00-xxx	600:5A	1.0	25	0.12
NDX-800-00-xxx	800:5A	1.0	50	0.16
NDX-1000-00-xxx	1000:5A	1.0	75	0.22
NDX-1200-00-xxx	1200:5A	1.0	100	0.31
NDX-1500-00-xxx	1500:5A	1.0	80	0.33
NDX-1600-00-xxx	1600:5A	1.0	80	0.36
NDX-2000-00-xxx	2000:5A	1.0	100	0.44
NDX-2500-00-xxx	2500:5A	1.0	65	0.48
NDX-3000-00-xxx	3000:5A	1.0	65	0.53
NDX-4000-00-xxx	4000:5A	1.0	75	0.76

\* "xxx" describes termination: "T" FOR BRASS STUDS, "TT" FOR BRASS STUDS in top terminal configuration, and "Lyyy" FOR LEAD WIRES (Where "yyy" is the lead length in inches. For example, "L24" represents 24 inch long lead wires.)



W.I.C.C. Ltd  
119 MULLER RD  
PO Box 252  
WASHINGTON IL 61571  
(309)-444-4125  
FAX (309)-444-3313

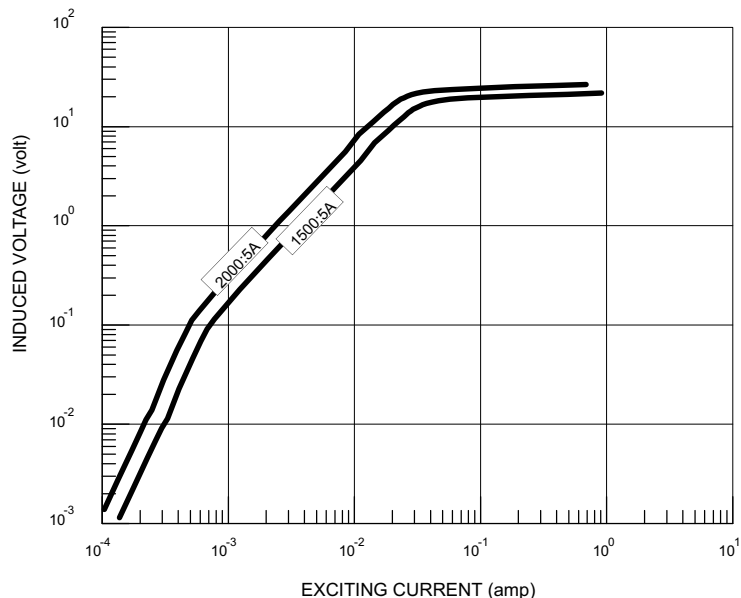
# CURRENT TRANSFORMER MODEL NDX

4.25" I.D.

PAGE No 1-36

REV 15DEC00

TYPICAL EXCITATION CURVE for WICC MODEL NDX at 60HZ



TYPICAL EXCITATION CURVE for WICC MODEL NDX at 60HZ

