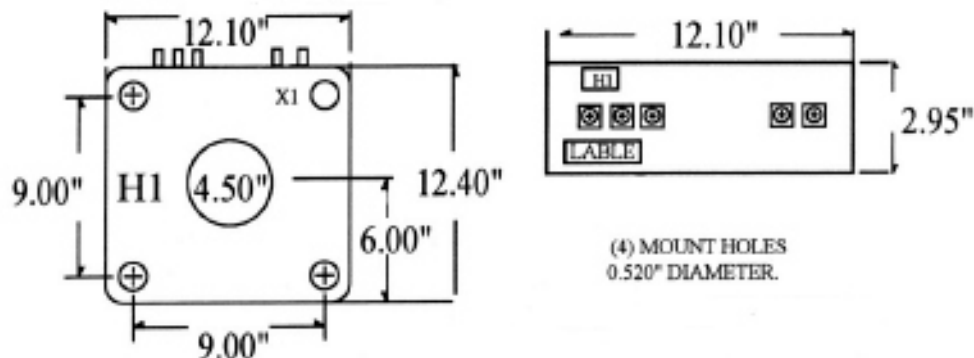


**Multi Ratio**  
**Current Transformers**

Window Diameter: 4.5"  
Continuous Thermal Rating: 1.33 at 30 C. amb.;  
1.0 at 55 C. amb. Average.

Application: Ammeters and Wattmeters and Relays.  
Insulation Class: 0.6 kV. BIL 10kV. full wave 50-400 Hz.  
Fully encapsulated under vacuum using 35kV polyurethane resin.

Standard 5 amp secondary, others available.



To order, please complete the model number with the appropriate suffix.  
eg. MR412-1200

**Model nbr. MR4512**

Catalogue nbr. Suffix	Current Ratio	VA for ±1% Class	ANSI Metering Class @ 60Hz				
			BO.1	BO.2	BO.5	BO.9	B1.8
-600	600:5	C100	0.3	0.3	0.3	0.3	0.3
-1200	1200:5	C200	0.3	0.3	0.3	0.3	0.3
-2000	2000:5	C400	0.3	0.3	0.3	0.3	0.3
-3000	3000:5	C400	0.3	0.3	0.3	0.3	0.3
-4000	4000:5	C400	0.3	0.3	0.3	0.3	0.3
-5000	5000:5	C400	0.3	0.3	0.3	0.3	0.3

- ▶ Test winding available, taps X5 & X6.
- ▶ Terminals are brass No. 10-32 UNC.
- ▶ Optional mounting bracket 4515MBK.
- ▶ Approximate weight 35 lb.
- ▶ Additional ratios available.

**600:5**

Ratios	Tap
50:5	X2-X3
100:5	X1-X2
150:5	X1-X3
200:5	X4-X5
250:5	X3-X4
300:5	X2-X4
400:5	X1-X4
450:5	X3-X5
500:5	X2-X5
600:5	X1-X5

**1200:5**

Ratios	Tap
100:5	X2-X3
200:5	X1-X2
300:5	X1-X3
400:5	X4-X5
500:5	X3-X4
600:5	X2-X4
800:5	X1-X4
900:5	X3-X5
1000:5	X2-X5
1200:5	X1-X5

**2000:5**

Ratios	Tap
300:5	X3-X4
400:5	X1-X2
500:5	X4-X5
800:5	X2-X3
1100:5	X2-X4
1200:5	X1-X3
1500:5	X1-X4
1600:5	X2-X5
2000:5	X1-X5

**3000:5**

Ratios	Tap
300:5	X3-X4
500:5	X4-X5
800:5	X3-X5
1000:5	X1-X2
1200:5	X2-X3
1500:5	X2-X4
2000:5	X2-X5
2200:5	X1-X3
2500:5	X1-X4
3000:5	X1-X5

**4000:5**

Ratios	Tap
500:5	X1-X2
1000:5	X3-X4
1500:5	X2-X3
2000:5	X1-X3
2500:5	X2-X4
3000:5	X1-X4
3500:5	X2-X5
4000:5	X1-X5

**5000:5**

Ratios	Tap
500:5	X2-X3
1000:5	X4-X5
1500:5	X1-X2
2000:5	X3-X4
2500:5	X2-X4
3000:5	X3-X5
3500:5	X2-X5
4000:5	X1-X4
5000:5	X1-X5