

MPR-63



General

- MPR-50: Network Analyser.
- MPR-52S-10: Network Analyser with THD (Total Harmonic Distortion) measurement, RS-485 (MODBUS) and Alarm Contact.
- MPR-60S: Network Analyser with THD measurement, RS-485 (MODBUS), Alarm Contact and 1MB Memory.
- MPR-63: Network Analyser with THD, up to 31th Harmonics measurement, RS-485 (MODBUS), Alarm Contact and 1MB Memory.
- IEC 61000-6-2, IEC 61000-6-4, IEC 61010-1

Modbus

Memory

Analogue Output

MD Max. Demand

Harmonics

Digital Input

Alarm Contact

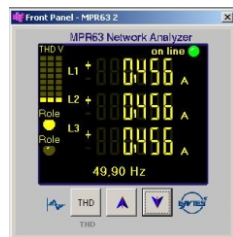
Product Code

	% THD I, THD V	2-31th Harmonics	I Neutral Current	Alarm Contact	Digital Input	Energy Pulse Output	RS-485 Comm.	0(2)-10V	0(4)-20mA	Memory	Real Time Clock	LCD Display	1 & 3 phase
MPR-50													
MPR-52S-10	•	•	•	•	•	•	•					•	•
MPR-60S	•	•	•	•	•	•	•					•	•
MPR-60S-10	•	•	•	•	•	•	•					•	•
MPR-60S-20	•	•	•	•	•	•	•					•	•
MPR-60S-21	•	•	•	•	•	•	•					•	•
MPR-60S-40	•	•	•	•	•	•	•	•				•	•
MPR-60S-41	•	•	•	•	•	•	•					•	•
MPR-63	•	•	•	•	•	•	•					•	•
MPR-63-10	•	•	•	•	•	•	•					•	•
MPR-63-20	•	•	•	•	•	•	•					•	•
MPR-63-21	•	•	•	•	•	•	•					•	•
MPR-63-40	•	•	•	•	•	•	•	•				•	•
MPR-63-41	•	•	•	•	•	•	•					•	•
MPR-63-42	•	•	•	•	•	•	•	2				•	•

PC Interface Software (MPR-SW)

MPR-SW is a graphic based software, which enables remote monitoring via internet or intranet.

Please refer to page 46 for MPR-SW Software.



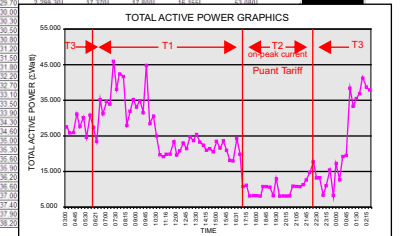
Front Panel View

TOTAL		L1	L2	L3
VLL	2175	2175	2175	2175
VLL	0.0	0.0	0.0	0.0
A	405	135	135	135
W	1350	450	450	450
kVA	88	29	29	29
kVA	88	29	29	29
A.Hi	146.20	48.30	48.38	49.53
A.Lo	0.0	0.0	0.0	0.0
A.Dem	4.13	1.37	1.37	1.38
Freq	50.0	50.0	50.0	50.0
V.LN.Hi	249.0	248.4	249.3	249.3
V.LN.Lo	0.0	0.0	0.0	0.0

Table View



Harmonics View (for MPR-63)



Measured Parameters (MPR-50)

Phase - Neutral Voltages (V_{LN})	Neutral Current	Active Power (P)	Active Energy - Import (kWh)
Phase - Phase Voltages (V_{LL})	Total Current (ΣI)	Reactive Power (Q)	Active Energy - Export (kWh)
Average Phase - Neutral Voltage	Power Factor (P.F)	Apparent Power (S)	Reactive Energy - Capacitive (kVAh)
Average Phase - Phase Voltage	$\cos\phi$	Total Active Power (ΣP)	Reactive Energy - Inductive (kVAh)
Max. Demand	Frequency (Hz)	Total Reactive Power (ΣQ)	
Phase Currents (I)	Max / Min. Values	Total Apparent Power (ΣS)	

+

Total Harmonic Distortion for Voltage (THD V %)	Total Harmonic Distortion for Current (THD I %)
---	---

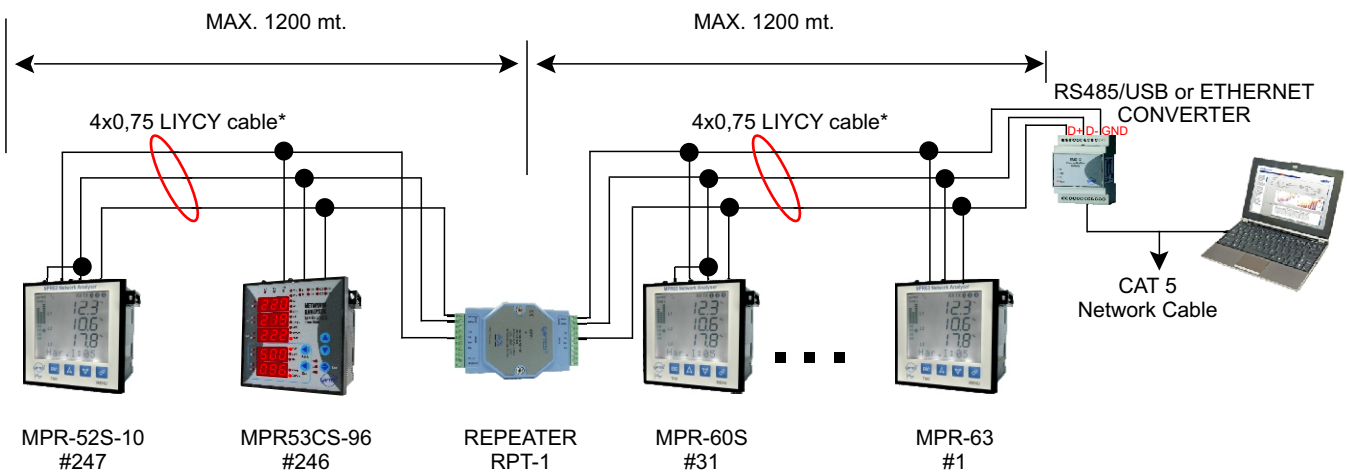
Measured Parameters (MPR-52S-10 / MPR-60S)

+

Individual Harmonics for Voltage - up to 31th	Individual Harmonics for Current - up to 31th
---	---

Measured Parameters (MPR-63)

247 DEVICES CAN BE CONNECTED SERIALLY BY USING REPEATERS.



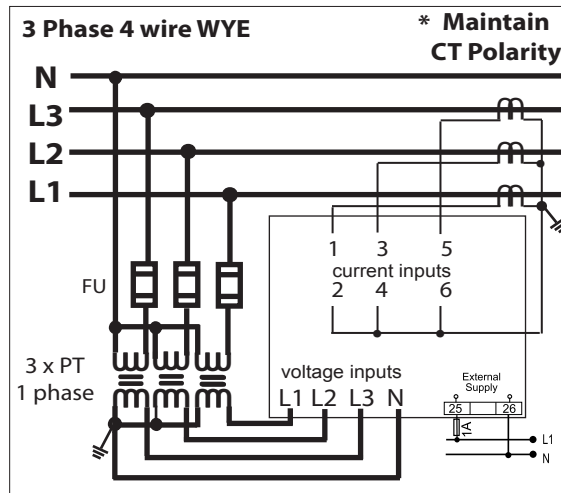
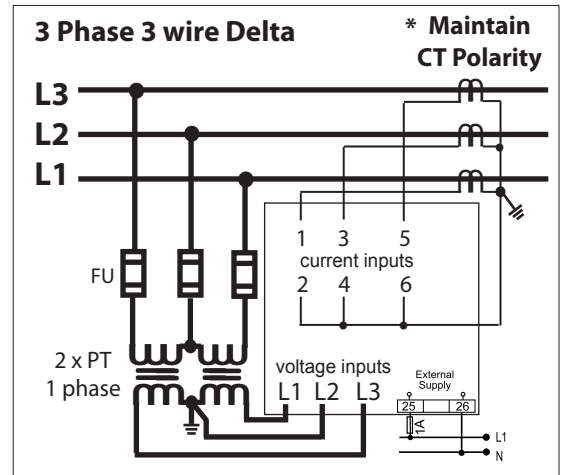
* Recommended 4x0,75 LIYCYmm² cable for RS-485 communications

MPR-50 / MPR-52S / MPR-60S / MPR-63

NETWORK ANALYSERS

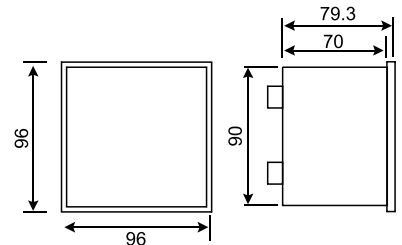
MODEL	MPR-50	MPR-52S-10	MPR-60S	MPR-63
SPECIFICATIONS				
HOUSING				
Dimensions	96x96mm PR19			
Protection Class	IP40 Front Panel; IP54 Optional			
Weight	0,75 kg/device			
Display	Backlit 3,6" LCD			
MEASUREMENTS				
Voltage				
Measuring Range	1.0-300V AC (L-N); 2.0-500V AC (L-L)			
Measuring Range with Transformer	Transformer Ratio: 1.0-4000			
Accuracy	%0.5 ± 2 Digit			
Input Impedance	1.8MΩ			
Burden	<0.5 VA			
Overload Voltage	1.2 x Measurement Range			
Current				
Nominal Current	In : 5A			
Lowest Current	5 mA			
Measurement Range	5 mA - 5,5 A Accuracy: 0.5% ±2 digit			
Measurement Range with Transformer	mA 10000 A Transformer Ratio: 1-5000.0			
Burden	0,5 VA			
Overload Current	2xIn			
Discontinuous Overload Current	10xIn			
Power/Energy				
Active Power	0 - 4000 MW	Accuracy: %1 ± 2 Digit		
Reactive Power	0 - 4000 MVar	Accuracy: %2 ± 2 Digit		
Apparent Power	0 - 4000 MVA	Accuracy: %2 ± 2 Digit		
Power Factor	±1.00 Accuracy: ± 0,01			
Active Energy	0 99 999 999 kWh or MWh	Accuracy: 1% ±2 Digit		
Reactive Energy	0 99 999 999 kVarh or MVarh	Accuracy: 1% ±2 Digit		
Total Harmonic Distortion(THD)	THD V%, THD I%			
Harmonics				2-31 (V)Voltage and (I)Current
Demand/Demand Time	15 min.			
Frequency	45-65 Hz			
SUPPLY				
Operating Voltage	85 -265 V AC/DC			
Operating Frequency	50/60 Hz			
Power Consumption	<6 VA			
INPUT/OUTPUT/SETTINGS				
Digital Input	-	2	2 (MPR60S-10/20/40)	2 (MPR63-10/20/40/42)
Digital Output	-	-	2 (MPR60S-21/41)	2 (MPR63-21/41)
Analog Output	-	-	(0)4-20 mA (MPR60S-40/41; MPR63-40/41/42) (0)2-10 V DC (MPR60S-20/21; MPR63-20/21)	
Contact Output	2 NO contacts 5A ; 1250 VA cosφ=1.00			
Energy Pulse Output	-	Active Energy Output(1kWh/pulse - 50MWh/pulse) Reactive Energy Output(1kVarh/pulse - 50MVarh/pulse)		
Delay Time	-	Voltage Parameters 0-300 sec.; Current and Power Parameters 0-900 sec.; Frequency, PF, cos and		
PULSE OUTPUT				
Switching Current	-	Max. 50 mA		
Switching Voltage	-	5..24 V DC		
Pulse Duration	-	100 ...2500 msec.		
Maximum Voltage	-	Max. 30 V DC		
MEMORY				
Data Logging	-	Selectable 28 parameters with Time Stamp(1500 records)		
Capacity	-	1MB		
COMMUNICATION				
Interface/Protocol	-	RS 485 / MODBUS RTU		
Transfer Rate	-	1200 - 38400		
AMBIENT CONDITIONS				
Ambient Temperature	- 5 / +55°C			
Storage Temperature	- 25 / +70°C			
Overvoltage Category	III			
Pollution Degree	II			
Ambient Humidity	%90			
STANDARDS & APPROVALS				
Security Standards	EN-61010-1			
EMC Standards	EN-61000-6-2, EN-61000-6-4			
Approvals	CSA, CSAus, CE			
CONNECTIONS				
Installation	Terminal / Flush-mounting with rear terminals			
Connection Terminals	Socket Type Terminal with Screws			
Connection Types	3 Phase+Neutral(3P4W), 3 Phase(3P3W), 3 Phase(Aron), 1 Phase			

When potential transformers are used



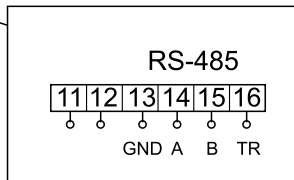
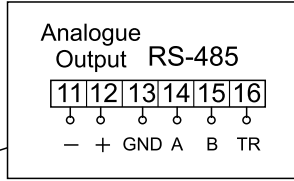
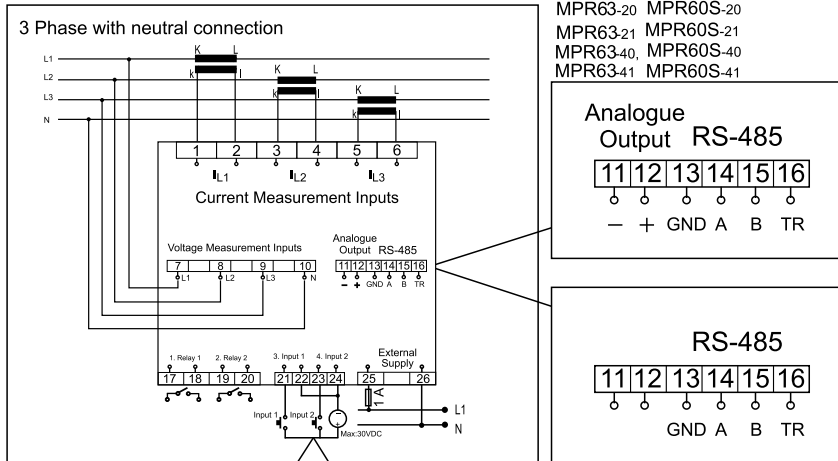
Dimensions

(PR19- 96x96mm)

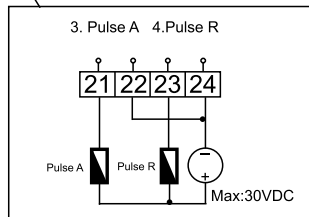
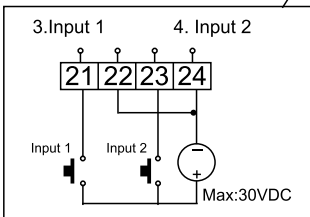


TYPE PR 19

Valid for;
MPR63-20 MPR60S-20
MPR63-21 MPR60S-21
MPR63-40, MPR60S-40
MPR63-41 MPR60S-41



Valid for;
MPR63 MPR60S
MPR63-10 MPR60S-10



Valid for;
MPR63-10 MPR60S-10
MPR63-20 MPR60S-20
MPR63-40 MPR60S-40

Valid for;
MPR63 MPR60S
MPR63-21 MPR60S-21
MPR63-41 MPR60S-41

