

Programmable Timer & Counter

Z-TRAUQ INC.

Tel.: 1-877-798-7287 Fax: (450)226-5837 e-mail: z-trauq@qc.aira.com



1/4 DIN
EZM-9950
96x96mm

FEATURES

- Two 6 digit displays - Actual Count and one of the two Set Points
- Two set points
- Reset, pause and ChA-ChB counter inputs
- Input signals from NPN, PNP, Encoder or Dry Contact
- Programmable Counter/Totalizer Counter, Batch Counter, Timer, Chronometer, Frequencymeter and Tachometer functions
- Programmable time range (Seconds, Minutes, Hours) for Timer and Chronometer
- Automatic and Manual Resets
- For counting function, selectable INC, DEC, INC/INC, INC/DEC, UP/DOWN
- x1 / x2 / x4 with encoder type of counting
- Coefficient and decimal point position
- Programmable alarm functions
- Standard RS-232 serial communication (MODBUS) or optional RS-485
- On-board sensor power supply

SPECIFICATIONS:

INPUTS

Counter Inputs: ChA, ChB (Dry contact, inductive or capacitive sensor, encoder)

Reset and Pause Inputs: Dry contact, inductive or capacitive sensor

Input Type Selection: NPN or PNP via DIP switches

Input Speed: 10kHz max.

Reset Function: Automatic or Manual

Types of Counter Inputs: INC, DEC, INC/DEC, INC/INC, UP/DOWN, x1 / x2 / x4 encoder input

OUTPUT FUNCTIONS

Programmable output functions for Counter, Batch Counter, Timer and Chronometer.

Programmable alarm functions for Frequencymeter and Tachometer operations.

OUTPUTS

Output Modules: You can field install any two of the following modules in the device:

- Relay output module 5A @ 250Vac
- Transistor output module (Max 20mA@18Vdc)
- SSR driver output module (Max 40mA@18Vdc)

DISPLAY

Actual Counting Value Display : 14 mm Red 6 digit LED

Set Value Display : 9 mm Green 6 digit LED display

LED indicators : SV1/SV2 (Set Values 1 & 2), OP1/OP2 (Control or Alarm outputs 1 & 2)

SUPPLY

Supply Voltage: 100-240 Vac; 24Vac/Vdc

Power Consumption: Maximum 6VA

CONDITIONS and PHYSICAL SPECIFICATIONS

Operating Temperature: -10 to +60°C

Humidity : 0 to 90%RH (non-condensing)

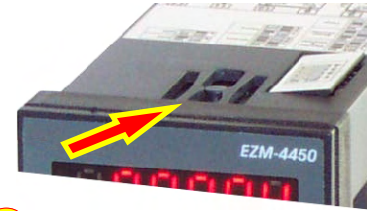
Protection Class: Nema 4X (IP65) front, IP 20 rear

Weight: 340 gr.

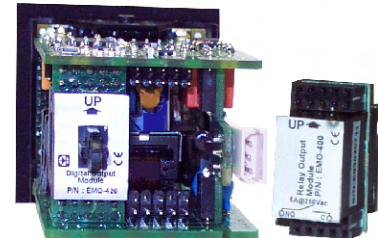
Dimensions: 96x96mm, Depth:76 mm

Panel Cut-Out: 92x92mm

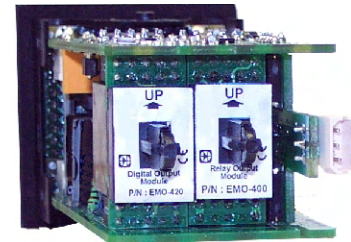
INSTALLING OUTPUT MODULES



- 1 Remove power. Depress the locking pins located top and bottom and extract the unit from its case. Wiring remains intact!

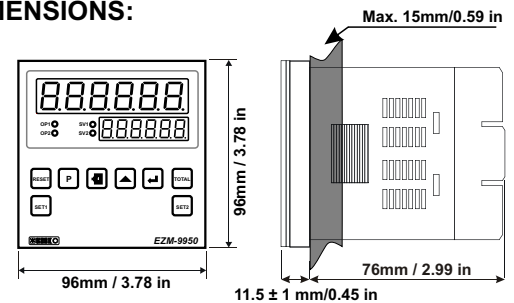


- 2 Slide output module(s) into cavity.

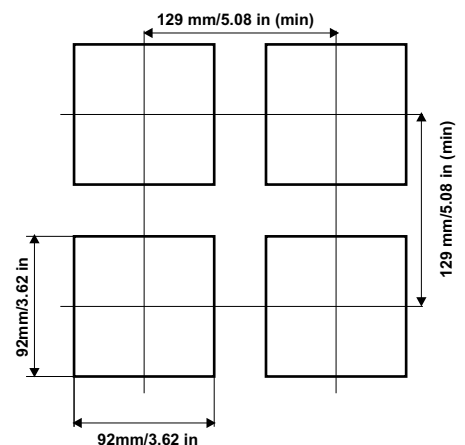


- 3 Possibility for 2 modules. Re-insert unit into case. No re-programming!

DIMENSIONS:



CUTOUT:

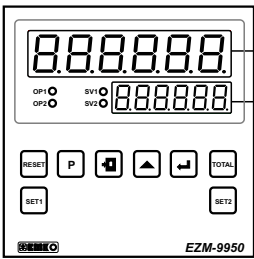


E Z M series multifunctional counters can be used in packing machines, conveyors, cutting and processing machines, automated parking lots or to measure and control processes, count, totalize, indicate speed, monitor productivity or used as a timer or chronometer.

Count up on 1 channel or 2; add both channels; subtract one from the other - Versatility beyond compare!

Description of Front Panel

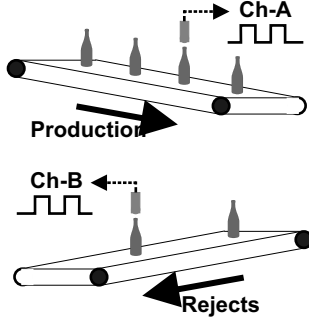
Display and Indicators



Actual value and Parameter display
SET1, SET2 and Parameter display

- O1 Illuminated when output1 is energized.
- O2 Illuminated when output2 is energized.
- SV1 Display indicates Set Value 1 when lit.
- SV2 Display indicates Set Value 2 when lit.

Used as a TOTALIZER

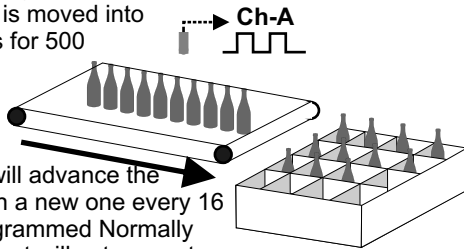


Pulses received on Channel A from a sensor increase the count displayed. Rejects are sent onto another conveyor where they are sensed by a second sensor whose pulses are registered on Channel B and deducted from the total. At the end of the production run, the total saleable units is displayed on the counter.

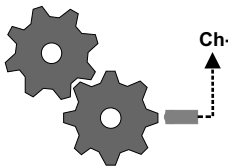
Used as a BATCH counter

Sixteen bottles per package is counted before an empty carton is moved into position. The order calls for 500 cartons.

Set Value 1=500 and Set Value 2=16. We program Output 2 to close for .50 sec. This will advance the filled carton and position a new one every 16 bottles. Output 2 is programmed Normally Closed so that this contact will cut power to the machine once the count reaches 500.

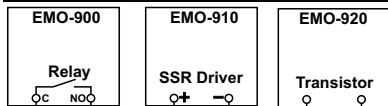


Used as a TACHOMETER



Position a sensor to pickup a cog. Set under speed and over speed values for SET1 and SET 2 respectively. Outputs can be programmed to close momentarily or latch if the machine doesn't run within the set limits.

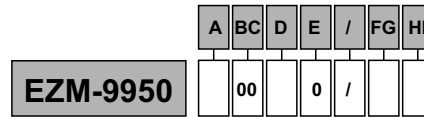
Output Modules (max two in any combination)



Ordering Information

Complete the model number with the appropriate suffix.

Eg. EZM 9950-10010/01.02 is a 96 x 96mm counter/timer with supply voltage of 100 - 240vac, universal input, RS232, one relay and one SSR output.

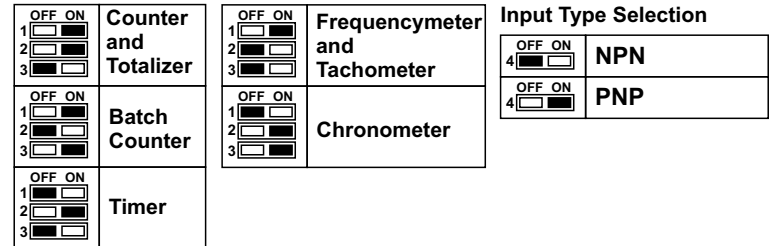


A Supply Voltage	
1	100-240Vac 50/60Hz
2	24Vac/Vdc
9	Custom (please specify)
D Serial Interface (MODBUS)	
1	RS-232
2	RS-485
FG Module-1	
01	Relay Output 5A@250Vac
02	SSR Output max. 20mA@18Vdc
03	Transistor Output max. 40mA@18Vdc
HI Module-2	
01	Relay Output 5A@250Vac
02	SSR Output max. 20mA@18Vdc
03	Transistor Output max. 40mA@18Vdc

Please use these product codes when ordering modules separately.

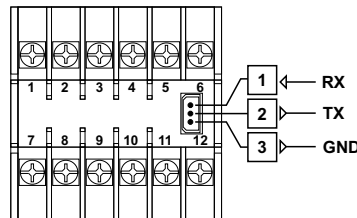
Function Selection

Via DIP Switches under the flap on the top of EZM.

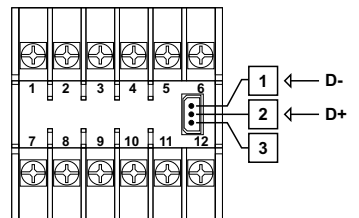


Communications

RS-232 Terminal Definitions

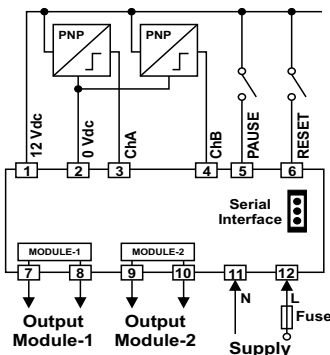


RS-485 Terminal Definitions

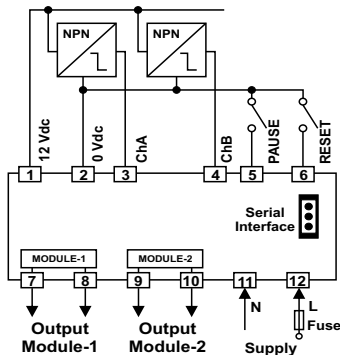


Electrical Connections (please refer to owner's manual for precise terminal identification)

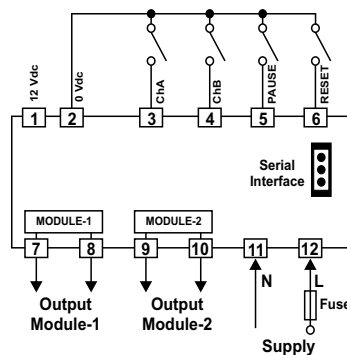
PNP Connection



NPN Connection



Dry Contact (Button, Switch)



Incremental Encoder

