

Potential Transformers

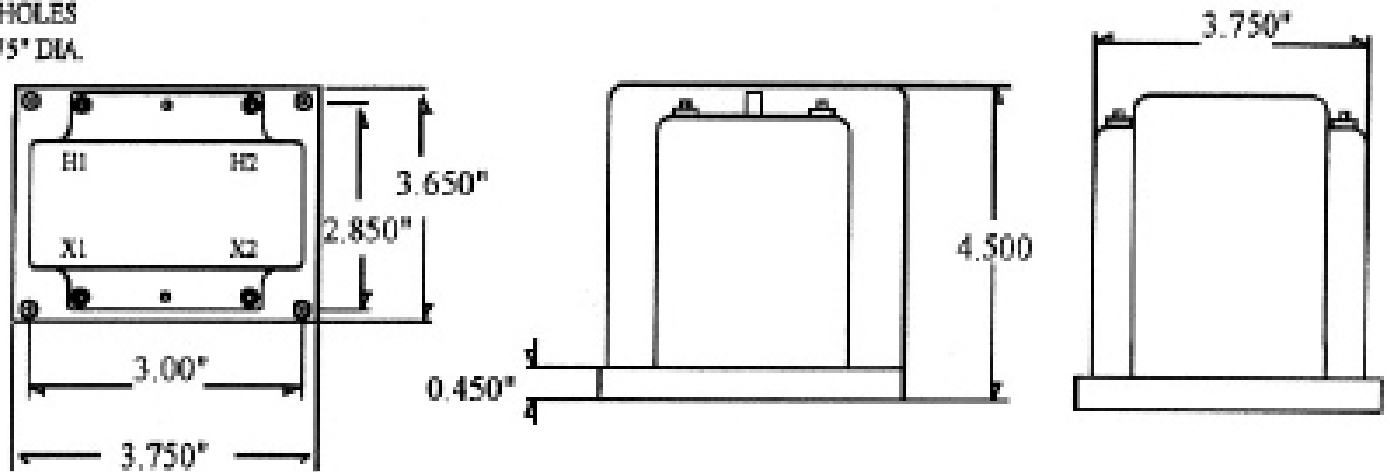
Continuous Thermal Rating: 145VA at 30°C. amb.;
95VA at 55°C. amb.

Insulation Class: 0.6 kV. BIL 10kV. full wave 60 Hz.
Fully encapsulated.

Standard 120VAC secondary.
Accuracy: 0.6 W, 1.2 X at 60Hz



(4) HOLES
0.275" DIA.



To order, please complete the model number with the appropriate suffix.
eg. PT145-5

Model nbr.
PT145

Catalogue nbr. Suffix	Ratio	Primary Voltage
-0.58	0.58:1	69.4
-1	1:1	120
-1.73	1.73:1	208
-2	2:1	240
-2.4	2.4:1	288
-2.5	2.5:1	300
-4	4:1	480
-5	5:1	600

- ▶ Terminals are brass no. 10-32
- ▶ Use of a 1.0 amp fuse in the secondary is recommended.
- ▶ Optional fusing for line-to-line or line-to-neutral connection is available.
- ▶ Approximate weight is 7 lb.