

Potential Transformers

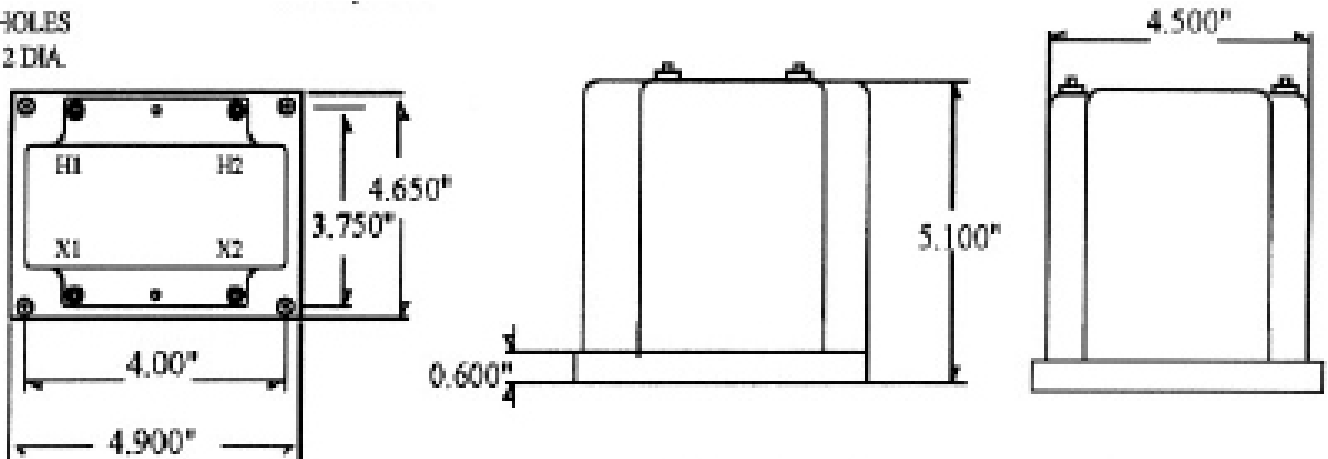
Continuous Thermal Rating: 300VA at 30°C. amb.;
200VA at 55°C. amb.

Insulation Class: 0.6 kV. BIL 10kV. full wave 60 Hz.
Fully encapsulated.

Standard 120VAC secondary.
Accuracy: 0.3 W, 0.6. X, 1.2 M at 60Hz



(4) HOLES
0.312 DIA.



To order, please complete the model number with the appropriate suffix.
eg. PT295-5

Model nbr.
PT295

Catalogue nbr. Suffix	Ratio	Primary Voltage
-0.58	0.58:1	69.4
-1	1:1	120
-1.73	1.73:1	208
-2	2:1	240
-2.4	2.4:1	288
-2.5	2.5:1	300
-4	4:1	480
-5	5:1	600

- ▶ Terminals are brass no. 10-32
- ▶ Use of a 1.5 amp fuse in the secondary is recommended.
- ▶ Optional fusing for line-to-line or line-to-neutral connection is available.
- ▶ Approximate weight is 10 lb.
- ▶ ANSI C57.13 group 1