

# PHOTOELECTRIC SENSORS FT13-CF SERIES FORK SHAPE



DETECTING NON TRANSPARENT AND TRANSLUCENT MATERIALS

METALLIC HOUSING WITH 13 mm FORK SHAPE

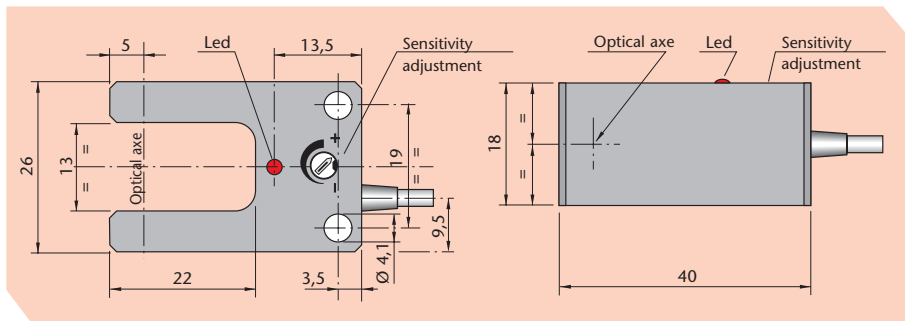
SENSITIVITY ADJUSTMENT

OUTPUT NPN - PNP

FUNCTIONS NO - NC

## TECHNICAL CHARACTERISTICS

Dimensions mm



AMPLIFIED MODELS 3 WIRES D.C.	NPN	NO	<b>FT13-CF NPN NO</b>
		NC	<b>FT13-CF NPN NC</b>
	PNP	NO	<b>FT13-CF PNP NO</b>
		NC	<b>FT13-CF PNP NC</b>
Fork shape dimension	mm	13	
Light source	Led	Infrared	
Power on delay	mSec	≤ 75	
Switching frequency	Hz	500	
Continuous voltage (Res. ripple ≤ 10%)	V	10 ÷ 30	
Max output current	mA	200	
Max current consumption at 24 Vdc	mA	≤ 15	
Voltage drop (I out = 200mA)	V	≤ 1,5	
Short circuit protection		Incorporated	
Light immunity	Lux	Sun light >10.000 Lux – Incandescent lamp >3.000 Lux	
Led		Operation indicator	
Temperature limits	°C	Storage -40 ÷ +85°C • Working -25 ÷ +50°C	
Protection degree	IP	67	
Plastic housing		Nickelled brass	
Cable	2m	3 x 0.25 mm <sup>2</sup>	

## WIRING DIAGRAMS



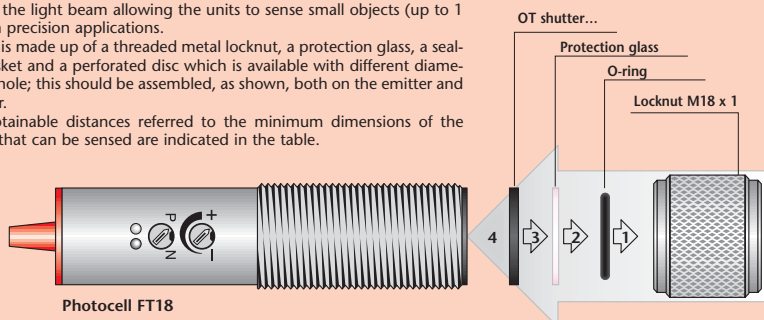
N.B.: On request is available cable for sensors with different length 3.5 - 5 - 7.5 - 10 m.

## SHUTTERS OT SERIES FOR FT18 THRU BEAM

These are accessories for M18 emitter and receiver barrier systems, they reduce the light beam allowing the units to sense small objects (up to 1 mm) in precision applications.

The kit is made up of a threaded metal locknut, a protection glass, a sealing gasket and a perforated disc which is available with different diameters of hole; this should be assembled, as shown, both on the emitter and receiver.

The obtainable distances referred to the minimum dimensions of the object that can be sensed are indicated in the table.



MODEL		OT1	OT2	OT3	OT4	OT6	OT8
FT18	DISTANCE (cm)	10	50	70	90	130	200
	OBJECT (mm)	1	1	1	1	1,5	2,5

OT SHUTTER		d
OT1		d = 1 mm
OT2		d = 2 mm
OT3		d = 3 mm
OT4		d = 4 mm
OT6		d = 6 mm
OT8		d = 8 mm