

RECTANGULAR INDUCTIVE SENSORS SIQ 80

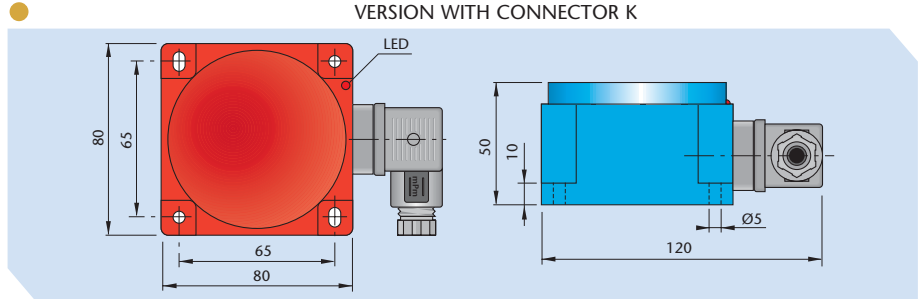


4 WIRES D.C.
CONFORMING TO EN 50044
VERSION-C

● **NOT EMBEDDABLE**
(NON FLUSH MOUNTING)

TECHNICAL CHARACTERISTICS

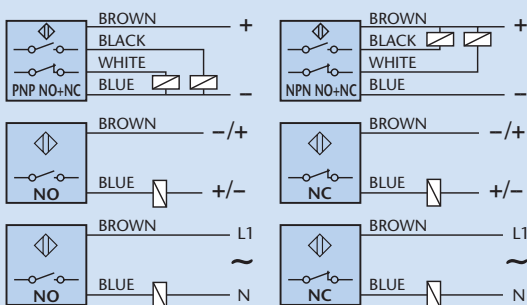
Dimensions mm



AMPLIFIED 4 WIRES D.C. ANTIPHASE	NPN	NO+NC	SIQ 80 - CE50 NPN NO + NC	SIQ 80 - CE50 NPN NO + NC K
	PNP	NO+NC	SIQ 80 - CE50 PNP NO + NC	SIQ 80 - CE50 PNP NO + NC K
AMPLIFIED 2 WIRES D.C.		NO		
		NC		
AMPLIFIED 2 WIRES A.C.		NO		
		NC		

Switching distance Sn	mm	10 ÷ 60 (sensitivity adjustable)	
Continuous voltage (residual ripple ≤10%)	V	10 ÷ 55	
Alternating voltage 50÷60 Hz	V		
Hysteresis (%Sn)	mm	<10% (Sn = 50 mm)	
Switching frequency	Hz	50	
Repeatability	% of Sn	≤ 3	
Max output current	mA	200	
Min output current	mA		
Max peak current for 20 mS	A		
Absorption at 24Vdc	mA	<10	
Residual current	mA		
Voltage drop (sensor ON)	V	<1.8	
Short circuit protection		Incorporated	
Led		Incorporated	
Temperature limits	°C	- 25 ÷ + 70	
Degree of protection	IP	67	65
Housing		Red plastic	
Cable PVC	2m	4 x 0.25 mm ²	
Connector plug		K (type 12)	

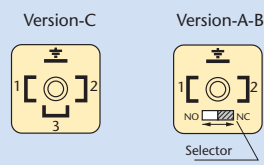
WIRING DIAGRAMS



N.B.: On request is available cable for sensors with different length 3.5 - 7.5 - 5 - 10 metres.

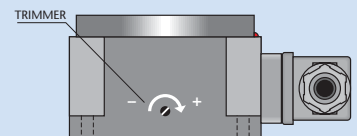
CONNECTION WITH K PLUG FOR THE CONNECTORS SEE PAGE 85

VIEW OF MALE CONNECTOR K



Version	Contact numeration			
	1	2	3	⊕
B	-	+		
C (NO or NC)	-	+		NC/NO
C (Antiphase)	-	+	NC	NO
A	L1	N		

SENSITIVITY ADJUSTMENT



This sensor is supplied with a trimmer for the sensitivity adjustment. The sensitivity increases when the trimmer is rotated in the clockwise direction and decreases in the anti-clockwise direction. Avoid using for a capacity greater than 60 mm referred to a square piece of (FE 37) steel of 1 mm thickness the side of which is equal to 100 mm. When setting the sensor keep in consideration all other metallic objects nearby, in fact setting is suggested to be made when the sensor is installed in the normal working conditions. The sensor is supplied already preset to 50 mm sensitivity.

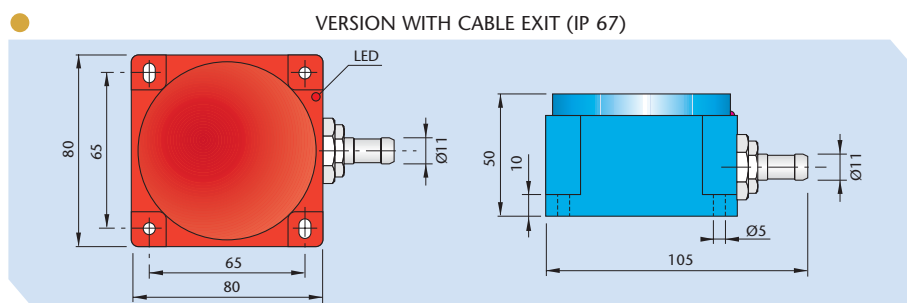
RECTANGULAR INDUCTIVE SENSORS SIQ 80



2 WIRES D.C.
CONFORMING TO EN 50044
VERSION-B

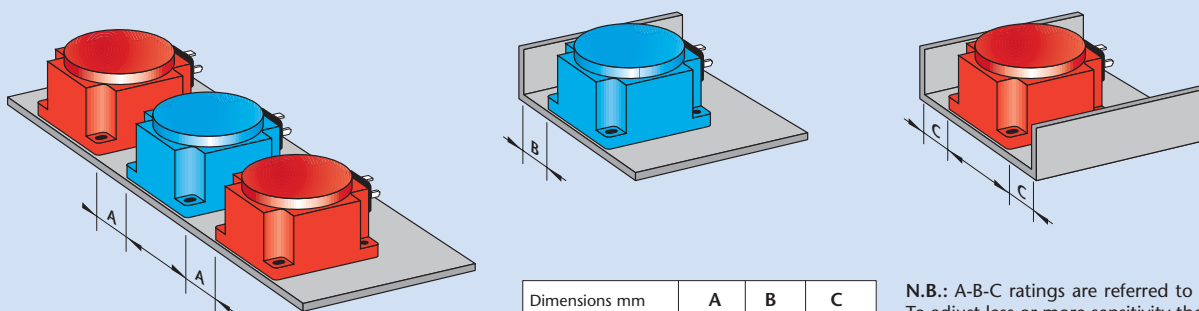
2 WIRES A.C.
CONFORMING TO EN 50044
VERSION-A

INDUCTIVE



SIQ 80 - BE50 NO	PROGRAMMABLE	SIQ 80 - AE50 NO	PROGRAMMABLE
SIQ 80 - BE50 NC	SIQ 80 - BE50 NO/NC K	SIQ 80 - AE50 NC	SIQ 80 - AE50 NO/NC K
10 ÷ 60 (sensitivity adjustable)		10 ÷ 60 (sensitivity adjustable)	
10 ÷ 55		20 ÷ 250	
< 10% (Sn = 50 mm)		< 10% (Sn = 50 mm)	
50		12	
≤ 3		≤ 3	
100		300	
1.5		5	
		1.5	
< 0.6		< 1	
< 6.5		< 6	
Incorporated		Incorporated	
Incorporated		- 25 ÷ + 70	
67	65	67	65
Red plastic		Blue plastic	
2 x 0.50 mm ²		2 x 0.50 mm ²	
	K (type 12)		K (type 12)

INSTRUCTIONS FOR CORRECT INSTALLATION



Dimensions mm	A	B	C
SIQ 80	≥450	≥45	≥70

N.B.: A-B-C ratings are referred to Sn = 35 mm. To adjust less or more sensitivity they either must be decreased or increased.