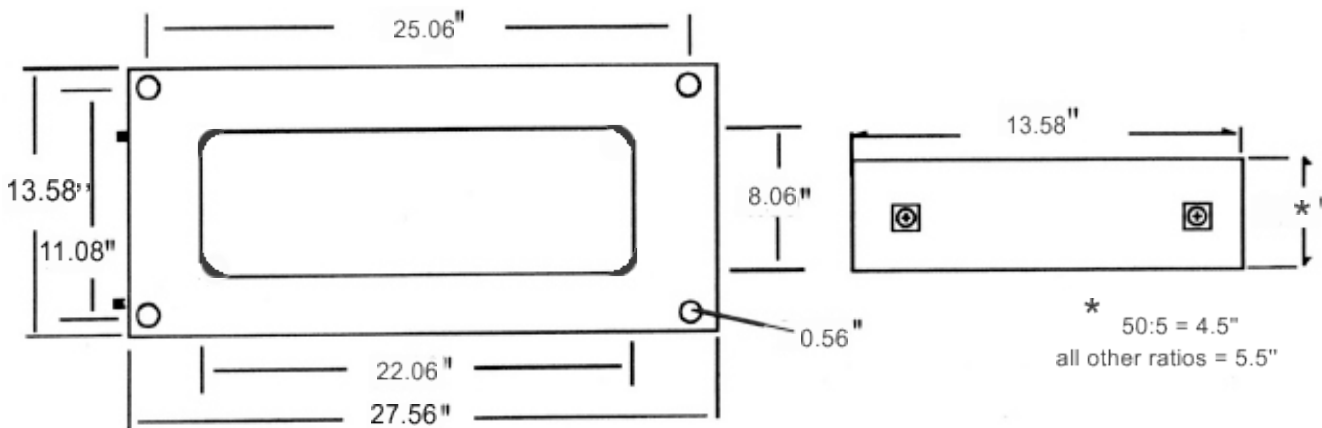


Rectangular Current Transformers

Window Size: 22.06" x 8.06"
 Continuous Thermal Rating: 2.0 at 30 C. amb.;
 2.0 at 55 C. amb. Average.

Application: Ammeters and Wattmeters and Relays.
 Insulation Class: 0.6 kV. BIL 10kV. full wave 50-400 Hz.
 Fully encapsulated.

Standard 5 amp secondary, others available.



Model nbr.
RT428

Catalogue nbr. Suffix	Current Ratio	Relay Class
-500	50:5	C10
-750	75:5	C20
-101	100:5	C30
-151	150:5	C50
-201	200:5	C50
-301	300:5	C100
-401	400:5	C100
-501	500:5	C200

To order, please complete the model number with the appropriate suffix. eg. RT428-201

- ▶ Terminals are brass No. 10-32 UNC.
- ▶ Approximate weight 150 lb.
- ▶ Additional ratios available.