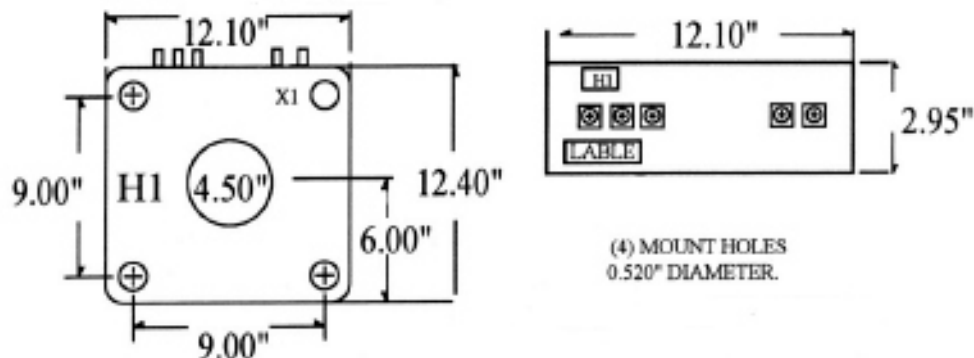


Multi Ratio
Current Transformers

Window Diameter: 4.5"
Continuous Thermal Rating: 1.33 at 30 C. amb.;
1.0 at 55 C. amb. Average.

Application: Ammeters and Wattmeters and Relays.
Insulation Class: 0.6 kV. BIL 10kV. full wave 50-400 Hz.
Fully encapsulated under vacuum using 35kV polyurethane resin.

Standard 5 amp secondary, others available.



To order, please complete the model number with the appropriate suffix.
eg. CT412MR1200

Model nbr. CT4512MR

Catalogue nbr. Suffix	Current Ratio	VA for ±1% Class	ANSI Metering Class @ 60Hz				
			BO.1	BO.2	BO.5	BO.9	B1.8
-600	600:5	C100	0.3	0.3	0.3	0.3	0.3
-1200	1200:5	C200	0.3	0.3	0.3	0.3	0.3
-2000	2000:5	C400	0.3	0.3	0.3	0.3	0.3
-3000	3000:5	C400	0.3	0.3	0.3	0.3	0.3
-4000	4000:5	C400	0.3	0.3	0.3	0.3	0.3
-5000	5000:5	C400	0.3	0.3	0.3	0.3	0.3

- ▶ Test winding available, taps X5 & X6.
- ▶ Terminals are brass No. 10-32 UNC.
- ▶ Optional mounting bracket 4515MBK.
- ▶ Approximate weight 35 lb.
- ▶ Additional ratios available.

600:5

Ratios	Tap
50:5	X2-X3
100:5	X1-X2
150:5	X1-X3
200:5	X4-X5
250:5	X3-X4
300:5	X2-X4
400:5	X1-X4
450:5	X3-X5
500:5	X2-X5
600:5	X1-X5

1200:5

Ratios	Tap
100:5	X2-X3
200:5	X1-X2
300:5	X1-X3
400:5	X4-X5
500:5	X3-X4
600:5	X2-X4
800:5	X1-X4
900:5	X3-X5
1000:5	X2-X5
1200:5	X1-X5

2000:5

Ratios	Tap
300:5	X3-X4
400:5	X1-X2
500:5	X4-X5
800:5	X2-X3
1100:5	X2-X4
1200:5	X1-X3
1500:5	X1-X4
1600:5	X2-X5
2000:5	X1-X5

3000:5

Ratios	Tap
300:5	X3-X4
500:5	X4-X5
800:5	X3-X5
1000:5	X1-X2
1200:5	X2-X3
1500:5	X2-X4
2000:5	X2-X5
2200:5	X1-X3
2500:5	X1-X4
3000:5	X1-X5

4000:5

Ratios	Tap
500:5	X1-X2
1000:5	X3-X4
1500:5	X2-X3
2000:5	X1-X3
2500:5	X2-X4
3000:5	X1-X4
3500:5	X2-X5
4000:5	X1-X5

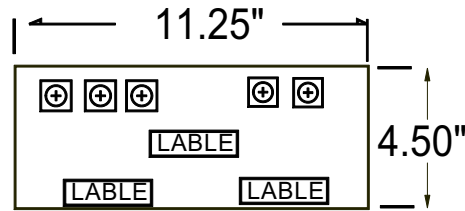
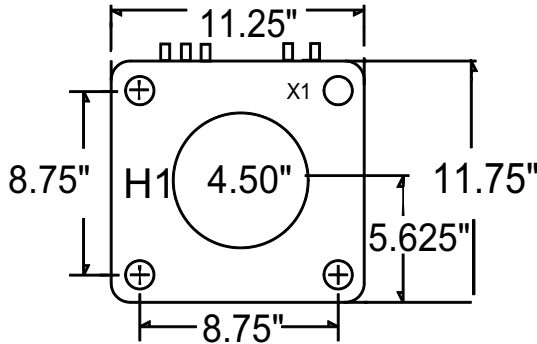
5000:5

Ratios	Tap
500:5	X2-X3
1000:5	X4-X5
1500:5	X1-X2
2000:5	X3-X4
2500:5	X2-X4
3000:5	X3-X5
3500:5	X2-X5
4000:5	X1-X4
5000:5	X1-X5

Multi Ratio
Current Transformers

Window Diameter: 4.50"
 Continuous Thermal Rating: 1.0 at 55 C. amb. Average.
 1.33 at 30 C. amb. 4000A & up
 Indoor & outdoor applications

Application: Ammeters and Wattmeters and Relays.
 Insulation Class: 0.6 kV. BIL 10kV. full wave 50-400 Hz.
 Fully encapsulated under vacuum using 35kV epoxy resin.
 Standard 5 amp secondary, others available.



(4) MOUNT HOLES
0.520" DIAMETER.

CT45114MR

To order, please complete the model number with the appropriate suffix.
 eg. CT45114MR4000:5A

- ▶ Terminals are brass No. 10-32 UNC.
- ▶ Mounting holes 0.520" dia.
- ▶ Approximate weight 56 lb.
- ▶ Additional ratios available.
- ▶ Mounting brackets (optional) 4511MBK

Model nbr. CT45114MR

Catalogue nbr. Suffix	Current Ratio	Relay Class	ANSI Metering Class @ 60Hz				
			BO.1	BO.2	BO.5	BO.9	B1.8
-600	600:5	C100	0.3	0.3	0.3	0.3	0.6
-1200	1200:5	C200	0.3	0.3	0.3	0.3	0.3
-2000	2000:5	C400	0.3	0.3	0.3	0.3	0.3
-3000	3000:5	C400	0.3	0.3	0.3	0.3	0.3
-4000	4000:5	C400	0.3	0.3	0.3	0.3	0.3
-5000	5000:5	C400	0.3	0.3	0.3	0.3	0.3

600:5

Ratios	Tap
50:5	X2-X3
100:5	X1-X2
150:5	X1-X3
200:5	X4-X5
250:5	X3-X4
300:5	X2-X4
400:5	X1-X4
450:5	X3-X5
500:5	X2-X5
600:5	X1-X5

1200:5

Ratios	Tap
100:5	X2-X3
200:5	X1-X2
300:5	X1-X3
400:5	X4-X5
500:5	X3-X4
600:5	X2-X4
800:5	X1-X4
900:5	X3-X5
1000:5	X2-X5
1200:5	X1-X5

2000:5

Ratios	Tap
300:5	X3-X4
400:5	X1-X2
500:5	X4-X5
800:5	X2-X3
1100:5	X2-X4
1200:5	X1-X3
1500:5	X1-X4
1600:5	X2-X5
2000:5	X1-X5

3000:5

Ratios	Tap
300:5	X3-X4
500:5	X4-X5
800:5	X3-X5
1000:5	X1-X2
1200:5	X2-X3
1500:5	X2-X4
2000:5	X2-X5
2200:5	X1-X3
2500:5	X1-X4
3000:5	X1-X5

4000:5

Ratios	Tap
500:5	X1-X2
1000:5	X3-X4
1500:5	X2-X3
2000:5	X1-X3
2500:5	X2-X4
3000:5	X1-X4
3500:5	X2-X5
4000:5	X1-X5

5000:5

Ratios	Tap
500:5	X2-X3
1000:5	X4-X5
1500:5	X1-X2
2000:5	X3-X4
2500:5	X2-X4
3000:5	X3-X5
3500:5	X2-X5
4000:5	X1-X4
5000:5	X1-X5