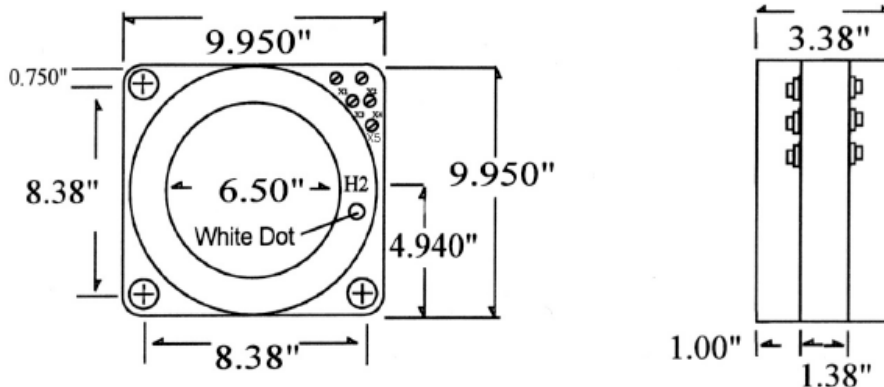


Multi Ratio
Current Transformers

Window Diameter: 6.50"
Continuous Thermal Rating: 1.33 at 30 C. amb.;
1.0 at 55 C. amb. Average.

Application: Ammeters and Wattmeters and Relays.
Insulation Class: 0.6 kV. BIL 10kV. full wave 50-400 Hz.
Fully encapsulated under vacuum using 35kV polyurethane resin.

Standard 5 amp secondary, others available.



To order, please complete the model number with the appropriate suffix.
eg. CT6510MR1200

Model nbr. CT6510MR

| Catalogue nbr. Suffix | Current Ratio | Relay Class | ANSI Metering Class @ 60Hz | | | | |
|-----------------------|---------------|-------------|----------------------------|------|------|------|------|
| | | | BO.1 | BO.2 | BO.5 | BO.9 | B1.8 |
| -600 | 600:5 | C100 | 0.3 | 0.3 | 0.3 | 0.6 | 0.6 |
| -1200 | 1200:5 | C200 | 0.3 | 0.3 | 0.3 | 0.3 | 0.3 |
| -2000 | 2000:5 | C200 | 0.3 | 0.3 | 0.3 | 0.3 | 0.3 |
| -3000 | 3000:5 | C200 | 0.3 | 0.3 | 0.3 | 0.3 | 0.3 |
| -4000 | 4000:5 | C200 | 0.3 | 0.3 | 0.3 | 0.3 | 0.3 |
| -5000 | 5000:5 | C200 | 0.3 | 0.3 | 0.3 | 0.3 | 0.3 |

- ▶ Terminals are brass No. 10-32 UNC.
- ▶ Mounting holes 0.560 dia.
- ▶ Approximate weight 33 lb.
- ▶ Additional ratios available.

| 600:5 | | 1200:5 | | 2000:5 | | 3000:5 | | 4000:5 | | 5000:5 | |
|--------|-------|--------|-------|--------|-------|--------|-------|--------|-------|--------|-------|
| Ratios | Tap | Ratios | Tap | Ratios | Tap | Ratios | Tap | Ratios | Tap | Ratios | Tap |
| 50:5 | X2-X3 | 100:5 | X2-X3 | 300:5 | X3-X4 | 300:5 | X3-X4 | 500:5 | X1-X2 | 500:5 | X2-X3 |
| 100:5 | X1-X2 | 200:5 | X1-X2 | 400:5 | X1-X2 | 500:5 | X4-X5 | 1000:5 | X3-X4 | 1000:5 | X4-X5 |
| 150:5 | X1-X3 | 300:5 | X1-X3 | 500:5 | X4-X5 | 800:5 | X3-X5 | 1500:5 | X2-X3 | 1500:5 | X1-X2 |
| 200:5 | X4-X5 | 400:5 | X4-X5 | 800:5 | X2-X3 | 1000:5 | X1-X2 | 2000:5 | X1-X3 | 2000:5 | X3-X4 |
| 250:5 | X3-X4 | 500:5 | X3-X4 | 1100:5 | X2-X4 | 1200:5 | X2-X3 | 2500:5 | X2-X4 | 2500:5 | X2-X4 |
| 300:5 | X2-X4 | 600:5 | X2-X4 | 1200:5 | X1-X3 | 1500:5 | X2-X4 | 3000:5 | X1-X4 | 3000:5 | X3-X5 |
| 400:5 | X1-X4 | 800:5 | X1-X4 | 1500:5 | X1-X4 | 2000:5 | X2-X5 | 3500:5 | X2-X5 | 3500:5 | X2-X5 |
| 450:5 | X3-X5 | 900:5 | X3-X5 | 1600:5 | X2-X5 | 2200:5 | X1-X3 | 4000:5 | X1-X5 | 4000:5 | X1-X4 |
| 500:5 | X2-X5 | 1000:5 | X2-X5 | 2000:5 | X1-X5 | 2500:5 | X1-X4 | | | 5000:5 | X1-X5 |
| 600:5 | X1-X5 | 1200:5 | X1-X5 | | | 3000:5 | X1-X5 | | | | |

Rf = 2.0
@ 30C

2.0

1.33

1.33

1.33

1.0

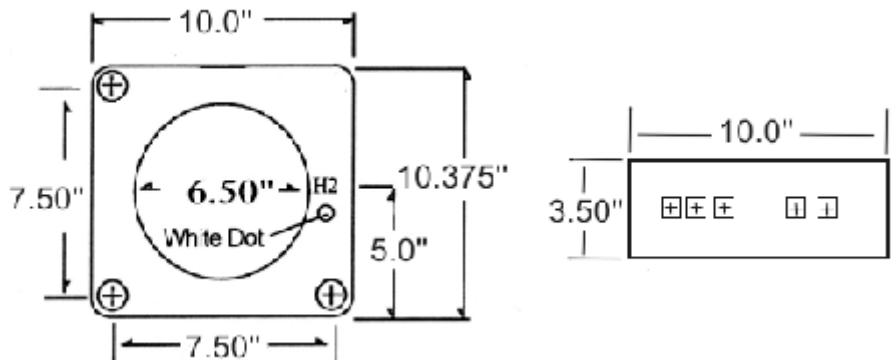


Multi Ratio
Current Transformers

Window Diameter: 6.50"
Continuous Thermal Rating: 1.33 at 30 C. amb.;
1.0 at 55 C. amb. Average.

Application: Ammeters and Wattmeters and Relays.
Insulation Class: 0.6 kV. BIL 10kV. full wave 50-400 Hz.
Fully encapsulated under vacuum using 35kV epoxy resin.

Standard 5 amp secondary, others available.



To order, please complete the model number with the appropriate suffix.
eg. CTMR65103-1200:5A

Model nbr. CTMR65103

| Catalogue nbr. Suffix | Current Ratio | Relay Class | ANSI Metering Class @ 60Hz | | | | |
|-----------------------|---------------|-------------|----------------------------|------|------|------|------|
| | | | BO.1 | BO.2 | BO.5 | BO.9 | B1.8 |
| -600 | 600:5 | C100 | 0.3 | 0.3 | 0.3 | 0.6 | 1.2 |
| -1200 | 1200:5 | C200 | 0.3 | 0.3 | 0.3 | 0.3 | 0.3 |
| -2000 | 2000:5 | C200 | 0.3 | 0.3 | 0.3 | 0.3 | 0.3 |
| -3000 | 3000:5 | C200 | 0.3 | 0.3 | 0.3 | 0.3 | 0.3 |
| -4000 | 4000:5 | C200 | 0.3 | 0.3 | 0.3 | 0.3 | 0.3 |
| -5000 | 5000:5 | C200 | 0.3 | 0.3 | 0.3 | 0.3 | 0.3 |

- ▶ Mounting brackets # 8111MBK optional.
- ▶ Terminals are brass No. 10-32 UNC.
- ▶ Mounting holes 0.510 dia.
- ▶ Approximate weight 29lb.
- ▶ Additional ratios available.

600:5

| Ratios | Tap |
|--------|-------|
| 50:5 | X2-X3 |
| 100:5 | X1-X2 |
| 150:5 | X1-X3 |
| 200:5 | X4-X5 |
| 250:5 | X3-X4 |
| 300:5 | X2-X4 |
| 400:5 | X1-X4 |
| 450:5 | X3-X5 |
| 500:5 | X2-X5 |
| 600:5 | X1-X5 |

1200:5

| Ratios | Tap |
|--------|-------|
| 100:5 | X2-X3 |
| 200:5 | X1-X2 |
| 300:5 | X1-X3 |
| 400:5 | X4-X5 |
| 500:5 | X3-X4 |
| 600:5 | X2-X4 |
| 800:5 | X1-X4 |
| 900:5 | X3-X5 |
| 1000:5 | X2-X5 |
| 1200:5 | X1-X5 |

2000:5

| Ratios | Tap |
|--------|-------|
| 300:5 | X3-X4 |
| 400:5 | X1-X2 |
| 500:5 | X4-X5 |
| 800:5 | X2-X3 |
| 1100:5 | X2-X4 |
| 1200:5 | X1-X3 |
| 1500:5 | X1-X4 |
| 1600:5 | X2-X5 |
| 2000:5 | X1-X5 |

3000:5

| Ratios | Tap |
|--------|-------|
| 300:5 | X3-X4 |
| 500:5 | X4-X5 |
| 800:5 | X3-X5 |
| 1000:5 | X1-X2 |
| 1200:5 | X2-X3 |
| 1500:5 | X2-X4 |
| 2000:5 | X2-X5 |
| 2200:5 | X1-X3 |
| 2500:5 | X1-X4 |
| 3000:5 | X1-X5 |

4000:5

| Ratios | Tap |
|--------|-------|
| 500:5 | X1-X2 |
| 1000:5 | X3-X4 |
| 1500:5 | X2-X3 |
| 2000:5 | X1-X3 |
| 2500:5 | X2-X4 |
| 3000:5 | X1-X4 |
| 3500:5 | X2-X5 |
| 4000:5 | X1-X5 |

5000:5

| Ratios | Tap |
|--------|-------|
| 500:5 | X2-X3 |
| 1000:5 | X4-X5 |
| 1500:5 | X1-X2 |
| 2000:5 | X3-X4 |
| 2500:5 | X2-X4 |
| 3000:5 | X3-X5 |
| 3500:5 | X2-X5 |
| 4000:5 | X1-X4 |
| 5000:5 | X1-X5 |