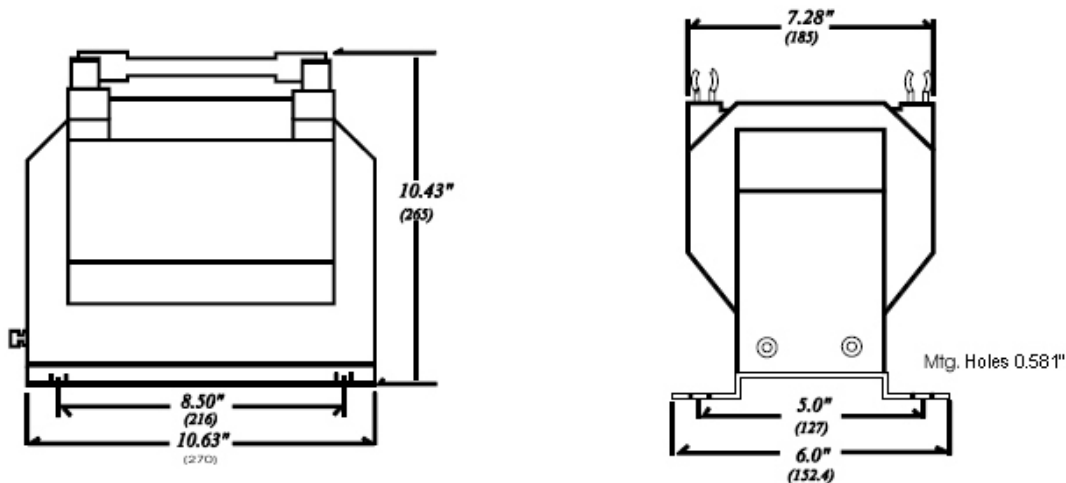


Power Transformers

Continuous Thermal Rating: 1KVA at 30°C. amb.;
0.8KVA at 55°C. amb. Average.
Standard secondary voltage: 120vac.

Insulation Class: 5 kV. max., 60kV BIL full wave.
Indoor.
Frequency: 60Hz



To order, please complete the model number with the appropriate suffix.
eg. CPT5K-60-1-7200

- ▶All ratios are designed for 60 Hz operation except where noted.
- ▶Use of a 2E type fuse in the primary is recommended.
- ▶Thermal burden ratings are for 120V secondaries.
- ▶Recommended minimum spacing requirements must be adhered to or optional cover must be used.
- ▶Fully encapsulated under vacuum using a 35 Kv epoxy resin.
- ▶Tested for partial discharge to IEC Standards.

Model nbr.

CPT5K-60-1

CPT5K-60-2

CPT5K-60-3

| Catalogue nbr. Suffix | Ratio | Primary Voltage | Secondary Voltage | Thermal Rating |
|-----------------------|--------|-----------------|-------------------|----------------|
| -2400 | 20:1 | 2400 | 120 | 1.0KVA |
| ⊗ -3300 | 30:1 | 3300 | 110 | 0.8KVA |
| -4160 | 34.7:1 | 4160 | 120 | 1.0KVA |
| -4800 | 40:1 | 4800 | 120 | 1.0KVA |
| ⊗ -6600 | 60.7:1 | 6600 | 110 | 0.6KVA |
| -7200 | 60:1 | 7200 | 120 | 0.6KVA |
| -2400 | 20:1 | 2400 | 120/240 | 2.0KVA |
| -3300 | 30:1 | 3300 | 120/240 | 1.8KVA |
| -4160 | 34.7:1 | 4160 | 120/240 | 2.0KVA |
| -4800 | 40:1 | 4800 | 120/240 | 2.0KVA |
| -2400 | 20:1 | 2400 | 120/240 | 3.0KVA |
| -4160 | 34.7:1 | 4160 | 120/240 | 3.0KVA |
| -4800 | 40:1 | 4800 | 120/240 | 3.0KVA |

⊗ Specifically designed for 50Hz operation and 110vac secondary volts.

≡≡≡ Z-TRAUQ INC. ≡≡≡

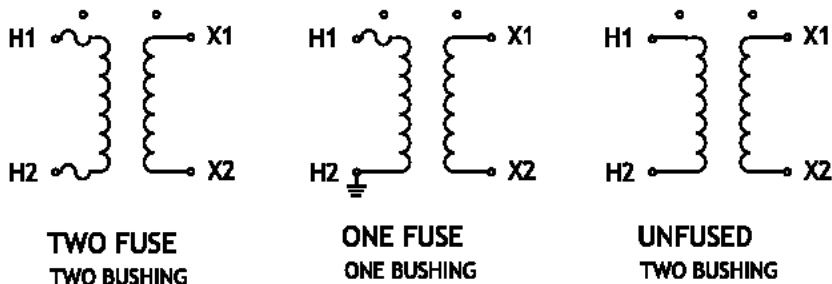


Model V21.1 – Medium Voltage Potential Transformer
Maximum System Voltage 15.5 kV, BIL 110kV full wave



• Rer ANSI/IEEE C57.13, IEC, OR relevant standard

TABLES (Specify Catalog # and Group with the RFQ)



INSULATION LEVEL

15.5 kV, BIL 110 kV full wave

FREQUENCY

60 Hz (50 Hz upon request)

ACCURACY CLASS

0.3WXMZY, 1.2ZZ @ 100% rated V, 120V based ANSI burden

0.3WXMZY, 1.2ZZ @ 58% rated V, 69.3V based ANSI burden

THERMAL RATING

1500 VA @ 30 deg. C ambient

1000 VA @ 55 deg. C ambient

OUTER ENCAPSULATION

Resin Encapsulated

PRIMARY TERMINALS

1/4"-20 Brass screw with one flat washer and lock washer

SECONDARY TERMINALS

M5X0.8 Female Insert, with brass slotted pan head screw, two plain washers and one lock washer

APPROX. WEIGHT

90 lbs.

PLATED STEEL MOUNTING BASE

CUSTOM OPTIONS (CONTACT US)

- Different Ratios, Accuracies
- Non-standard thermal rating
- Different encapsulation
- Different secondary termination
- Special mounting needs etc.

Model V21.1 – Medium Voltage Potential Transformer
Maximum System Voltage 15.5 kV, BIL 110kV full wave

| TWO BUSHING | | | | | | |
|----------------------|-------------------------|--|-------|-----------------|-------|-------------------|
| CATALOG # WITH FUSES | CATALOG # WITHOUT FUSES | CATALOG # WITH FUSES AND GROUNDING CLIPS | GROUP | PRIMARY VOLTAGE | RATIO | SECONDARY VOLTAGE |
| V21.1-2-242FF | *V21.1-2-242NF | V21.1-242FFG2 | 1 | 2400 | 20:1 | 120 |
| V21.1-2-422FF | *V21.1-2-422NF | V21.1-422FFG2 | 1 | 4200 | 35:1 | 120 |
| V21.1-2-482FF | *V21.1-2-482NF | V21.1-482FFG2 | 1 | 4800 | 40:1 | 120 |
| V21.1-2-662FF | *V21.1-2-662NF | V21.1-662FFG2 | 1 | 6600 | 60:1 | 110-50Hz |
| V21.1-2-722FF | *V21.1-2-722NF | V21.1-722FFG2 | 1 | 7200 | 60:1 | 120 |
| V21.1-2-842FF | *V21.1-2-842NF | V21.1-842FFG2 | 1 | 8400 | 70:1 | 120 |
| V21.1-2-113FF | *V21.1-2-113NF | V21.1-113FFG2 | 2 | 11000 | 100:1 | 110-50Hz |
| V21.1-2-123FF | *V21.1-2-123NF | V21.1-123FFG2 | 2 | 12000 | 100:1 | 120 |
| V21.1-2-12471FF | *V21.1-2-12471NF | V21.1-12471FFG2 | 2 | 12470 | 104:1 | 120 |
| V21.1-2-1322FF | *V21.1-2-1322NF | V21.1-1322FFG2 | 2 | 13200 | 110:1 | 120 |
| V21.1-2-1382FF | *V21.1-2-1382NF | V21.1-1382FFG2 | 2 | 13800 | 115:1 | 120 |
| V21.1-2-1442FF | *V21.1-2-1442NF | V21.1-1442FFG2 | 2 | 14400 | 120:1 | 120 |

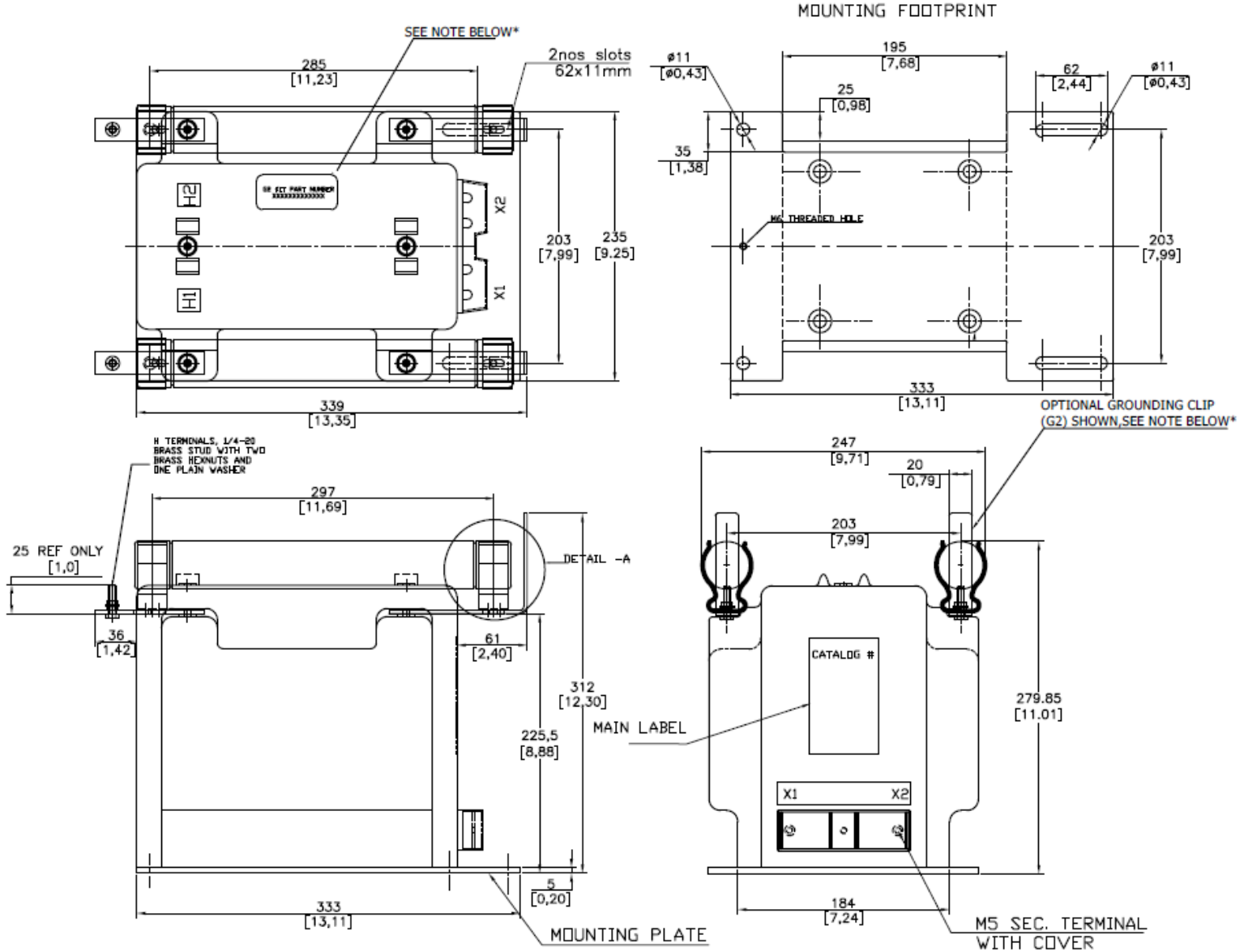
| SINGLE BUSHING | | | | | | |
|-----------------------|-------------------------|--|-------|-----------------|--------|-------------------|
| CATALOG # WITH FUSE | CATALOG # WITHOUT FUSES | CATALOG # WITH FUSES AND GROUNDING CLIPS | GROUP | PRIMARY VOLTAGE | RATIO | SECONDARY VOLTAGE |
| V21.1-242F | *V21.1-242NF | V21.1-242FG1 | 4A | 2400 | 20:1 | 120 |
| V21.1-422F | *V21.1-422NF | V21.1-422FG1 | 4A | 4200 | 35:1 | 120 |
| V21.1-482F | *V21.1-482NF | V21.1-482FG1 | 4A | 4800 | 40:1 | 120 |
| V21.1-722F | *V21.1-722NF | V21.1-722FG1 | 4A | 7200 | 60:1 | 120 |
| V21.1-7621F | *V21.1-7621NF | V21.1-7621FG1 | 4A | 7620 | 63.5:1 | 120 |
| V21.1-7971F | *V21.1-7971NF | V21.1-7971FG1 | 4A | 7970 | 66.4:1 | 120 |
| V21.1-842F | *V21.1-842NF | V21.1-842FG1 | 4A | 8400 | 70:1 | 120 |
| V21.1-113F | *V21.1-113NF | V21.1-113FG1 | 4B | 11000 | 100:1 | 110-50Hz |
| V21.1-123F | *V21.1-123NF | V21.1-123FG1 | 4B | 12000 | 100:1 | 120 |
| V21.1-12471F | *V21.1-12471NF | V21.1-12471FG1 | 4B | 12470 | 104:1 | 120 |
| V21.1-1322F | *V21.1-1322NF | V21.1-1322FG1 | 4B | 13200 | 110:1 | 120 |
| V21.1-1382F | *V21.1-1382NF | V21.1-1382FG1 | 4B | 13800 | 115:1 | 120 |
| V21.1-1442F | *V21.1-1442NF | V21.1-1442FG1 | 4B | 14400 | 120:1 | 120 |

***Contact N!HF 51 E -B7 " for the unfused version drawing**

Model V21.1 – Medium Voltage Potential Transformer
Maximum System Voltage 15.5 kV, BIL 110kV full wave

DIMENSIONS: Dimensions are in mm [inches]

TWO BUSHING, TWO FUSE

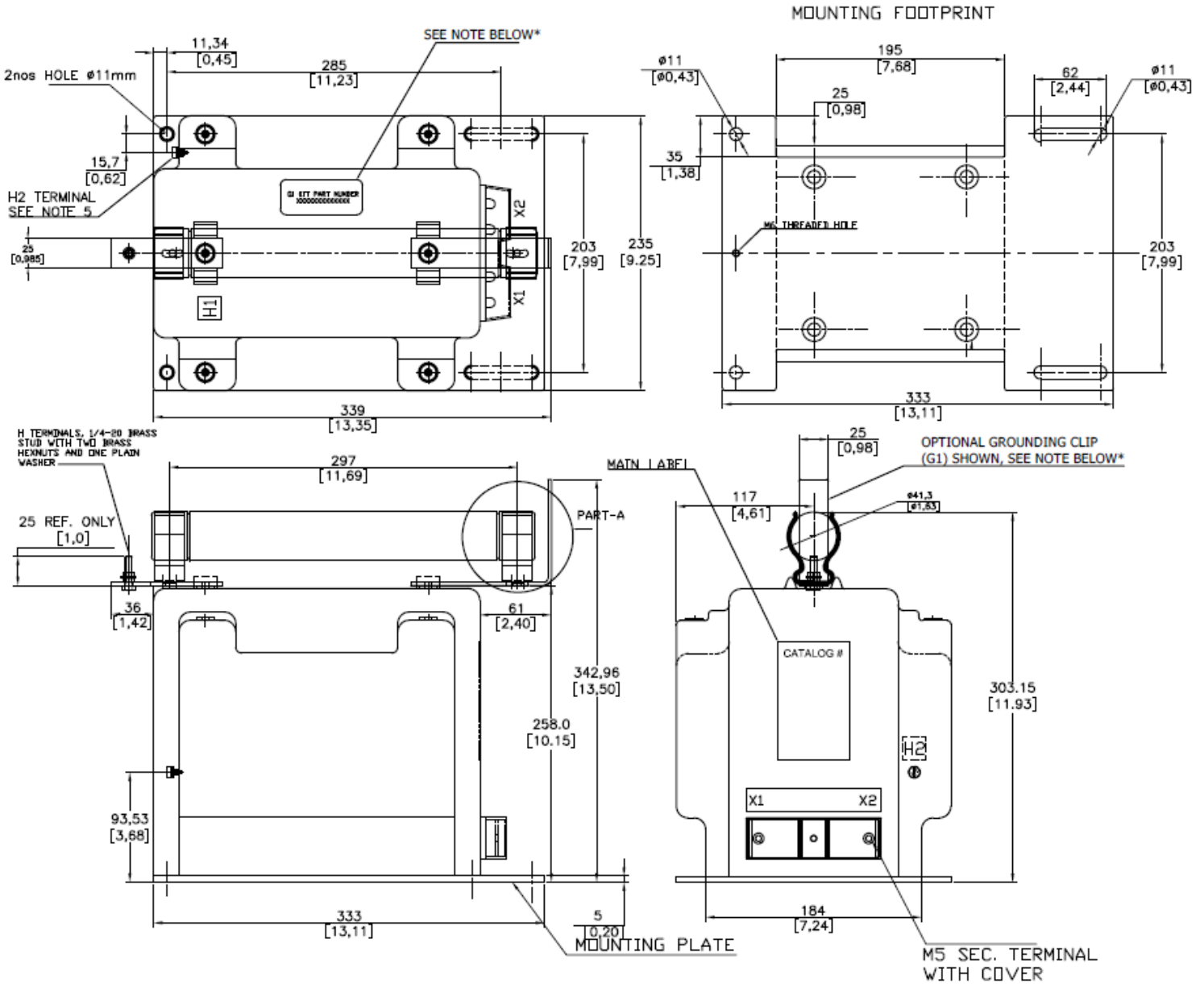


- *Units with optional grounding clips (G2) as shown have the additional label with the corresponding G2 part number listed
- Standard Fuse:
 - 15.5kV, 1.0E fuse for primary voltages below 10kV
 - 15.5kV, 0.5E fuse for primary voltages above 10Kv
- Fuse clips accept 1.63” diameter fuses with Max. length of 12.87”
- Fuses are intended to protect the system and not the PT in the event of a failure

Model V21.1 – Medium Voltage Potential Transformer
Maximum System Voltage 15.5 kV, BIL 110kV full wave

DIMENSIONS: Dimensions are in mm [inches]

SINGLE BUSHING, ONE FUSE



- *Units with optional grounding clips (G1) as shown have the additional label with the corresponding G1 part number listed.
- Standard Fuse:
 - 15.5kV, 1.0E fuse for primary voltages below 10kV
 - 15.5kV, 0.5E fuse for primary voltages above 10kV
- Fuse clips accept 1.63” diameter fuses with Max. length of 12.87”
- Fuses are intended to protect the system and not the PT in the event of a failure